



**STARK WIE EIN STIER**

# PREFALZ FAÇADE (vertical)

## CAD DETAILS

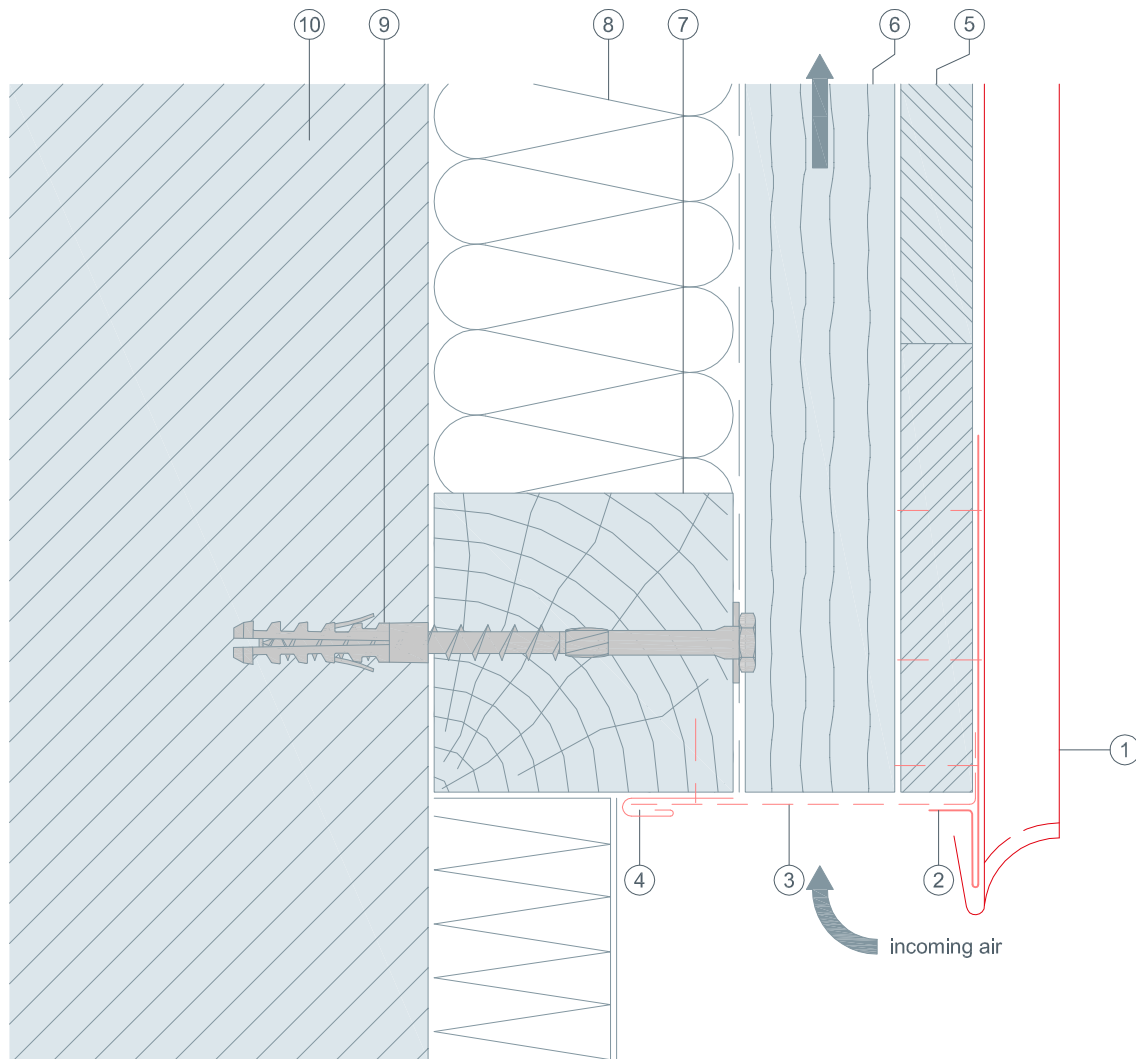
### CONTENTS:

- 2 vertical cross-section – bottom connection
- 3 horizontal cross-section – wall connection
- 4 horizontal cross-section – external corner
- 5 horizontal cross-section – internal corner
- 6 vertical cross-section – window ledge
- 7 horizontal cross-section – window reveals
- 8 vertical cross-section – window lintel
- 9 vertical cross-section – top connection
- 10 vertical cross-section – roof parapet



STARK WIE EIN STIER

# bottom connection vertical cross-section REFALZ FAÇADE (vertical) CAD DETAILS

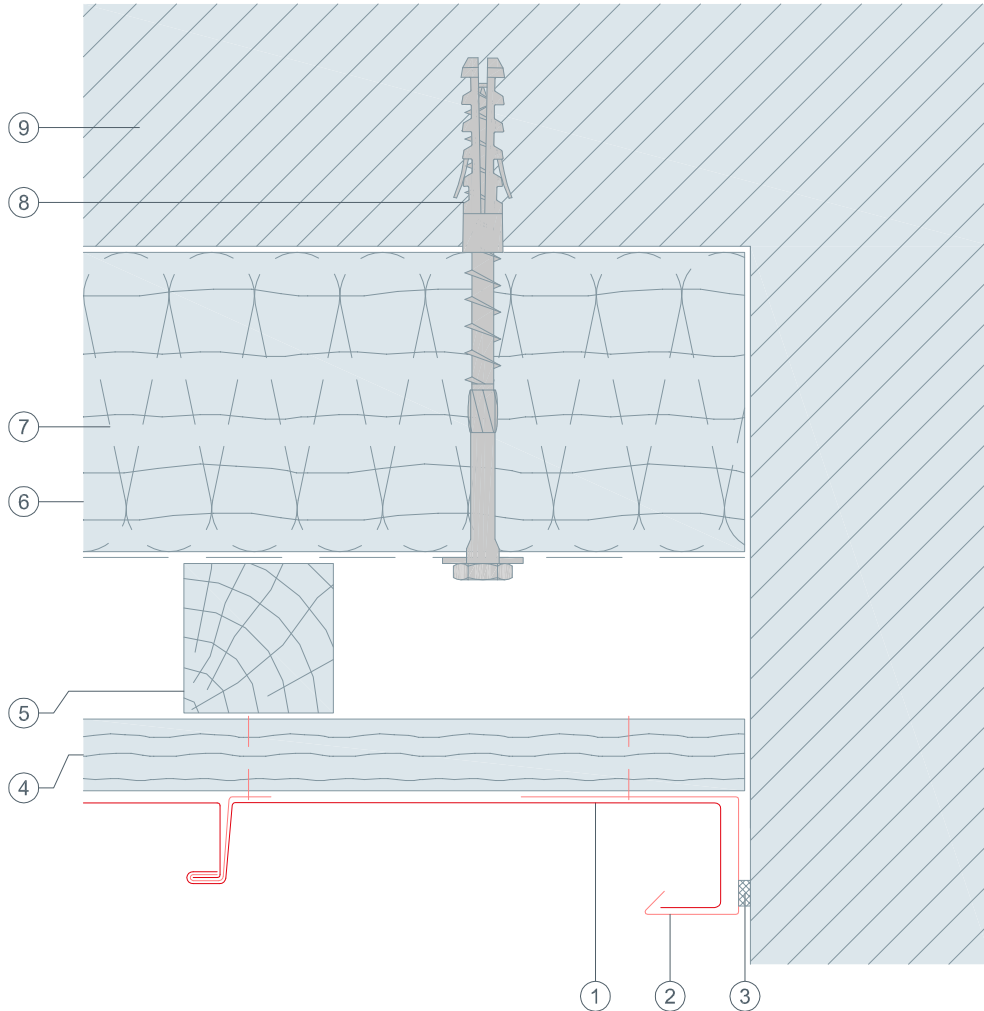


- ① REFALZ single-lock standing seam façade (vertical)
- ② edge cleat strip
- ③ perforated metal plate (canted)
- ④ insertion profile (PREFA)
- ⑤ solid sheathing conforming to national guidelines
- ⑥ counter batten - ventilation gap
- ⑦ nogging piece
- ⑧ insulation
- ⑨ fastener driven into the supporting structure
- ⑩ structural substrate



STARK WIE EIN STIER

# wall connection horizontal cross-section REFALZ FAÇADE (vertical) CAD DETAILS

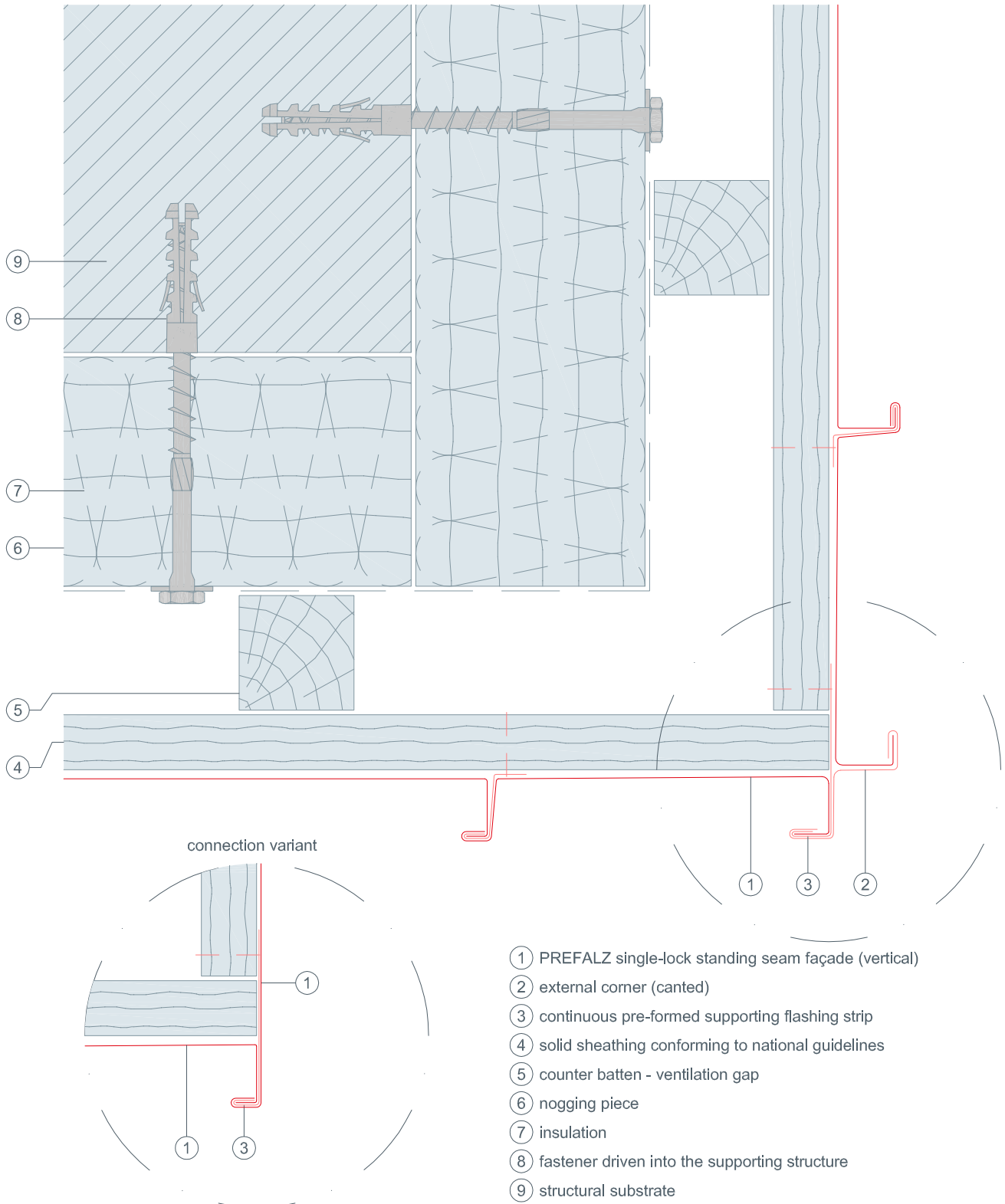


- ① REFALZ single-lock standing seam façade (vertical)
- ② channel profile (canted)
- ③ sealing tape
- ④ solid sheathing conforming to national guidelines
- ⑤ counter batten - ventilation gap
- ⑥ nogging piece
- ⑦ insulation
- ⑧ fastener driven into the supporting structure
- ⑨ structural substrate



STARK WIE EIN STIER

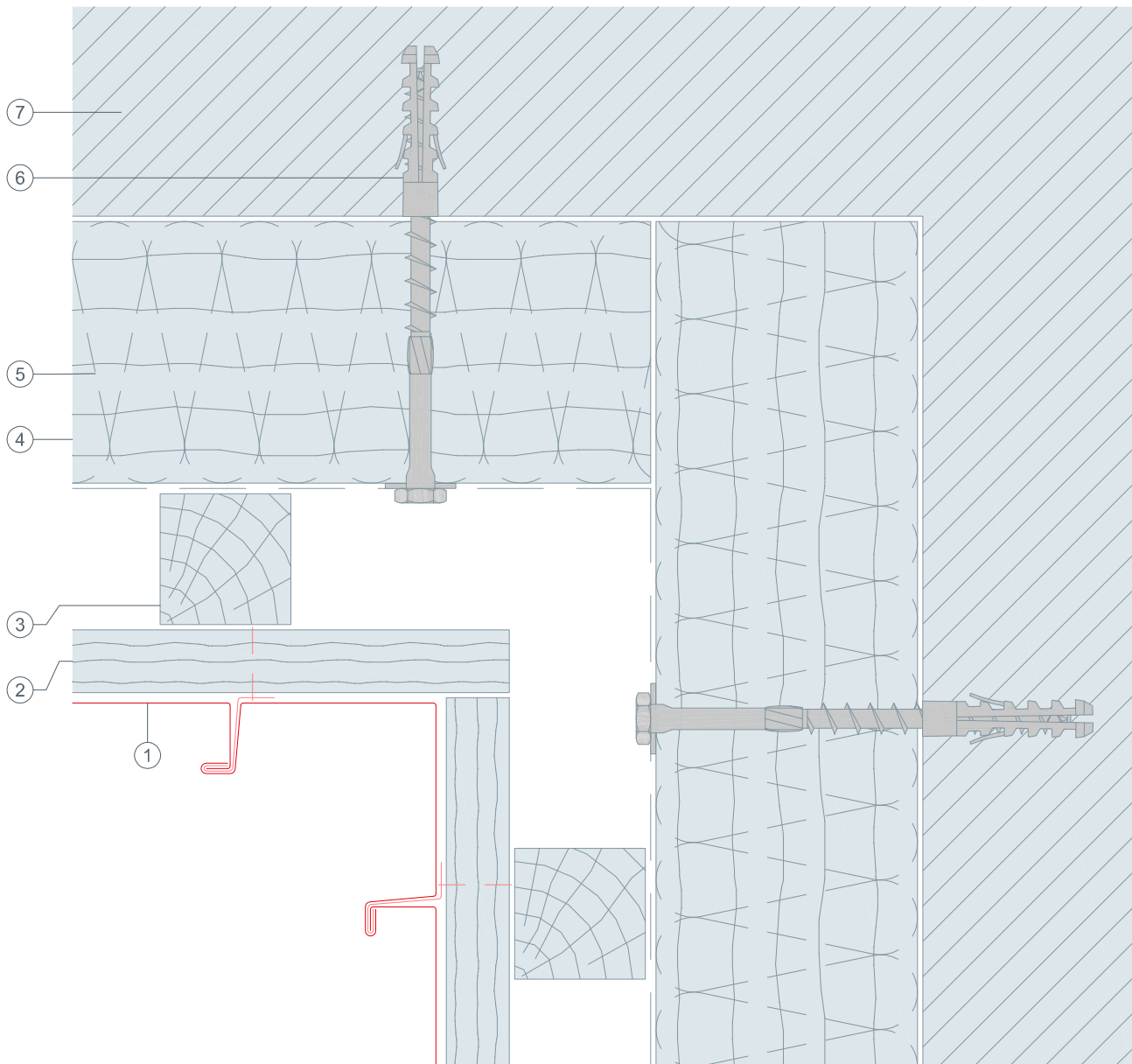
# external corner horizontal cross-section REFALZ FAÇADE (vertical) CAD DETAILS





STARK WIE EIN STIER

# internal corner horizontal cross-section REFALZ FAÇADE (vertical) CAD DETAILS



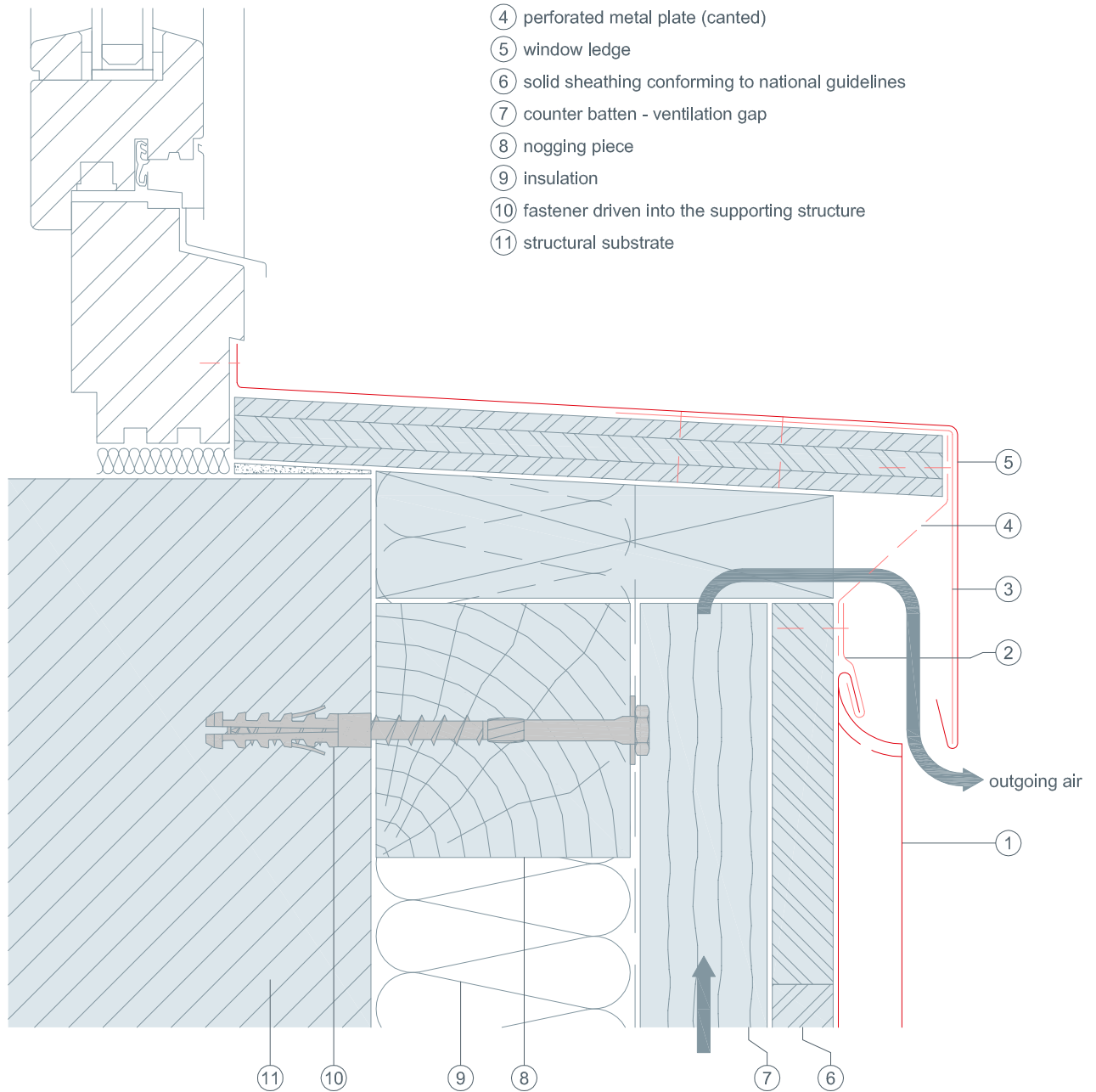
- ① REFALZ single-lock standing seam façade (vertical)
- ② solid sheathing conforming to national guidelines
- ③ counter batten - ventilation gap
- ④ nogging piece
- ⑤ insulation
- ⑥ fastener driven into the supporting structure
- ⑦ structural substrate



STARK WIE EIN STIER

# window ledge vertical cross-section REFALZ FAÇADE (vertical) CAD DETAILS

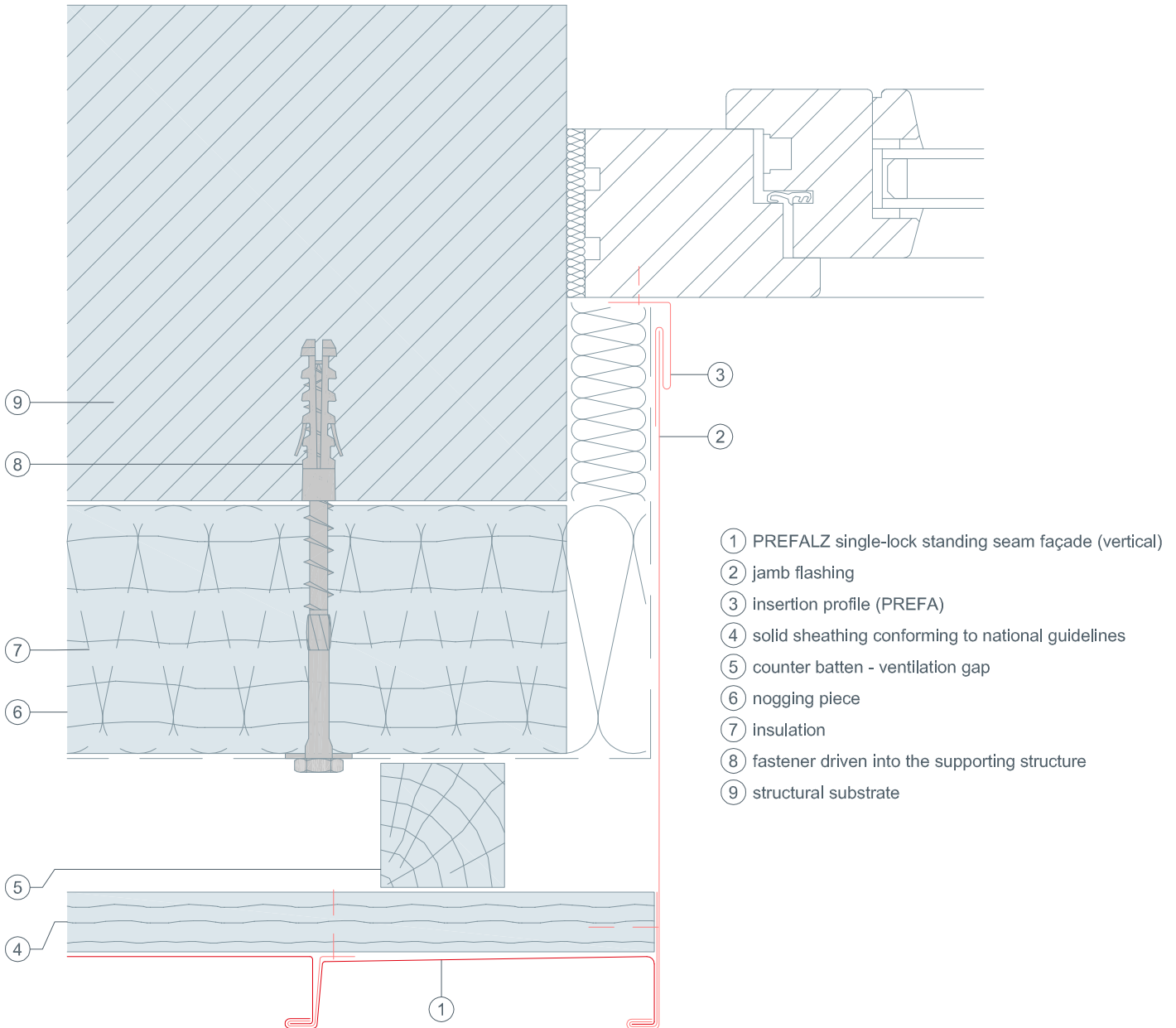
- ① REFALZ single-lock standing seam façade (vertical)
- ② clip
- ③ window ledge flashing strip
- ④ perforated metal plate (canted)
- ⑤ window ledge
- ⑥ solid sheathing conforming to national guidelines
- ⑦ counter batten - ventilation gap
- ⑧ nogging piece
- ⑨ insulation
- ⑩ fastener driven into the supporting structure
- ⑪ structural substrate





STARK WIE EIN STIER

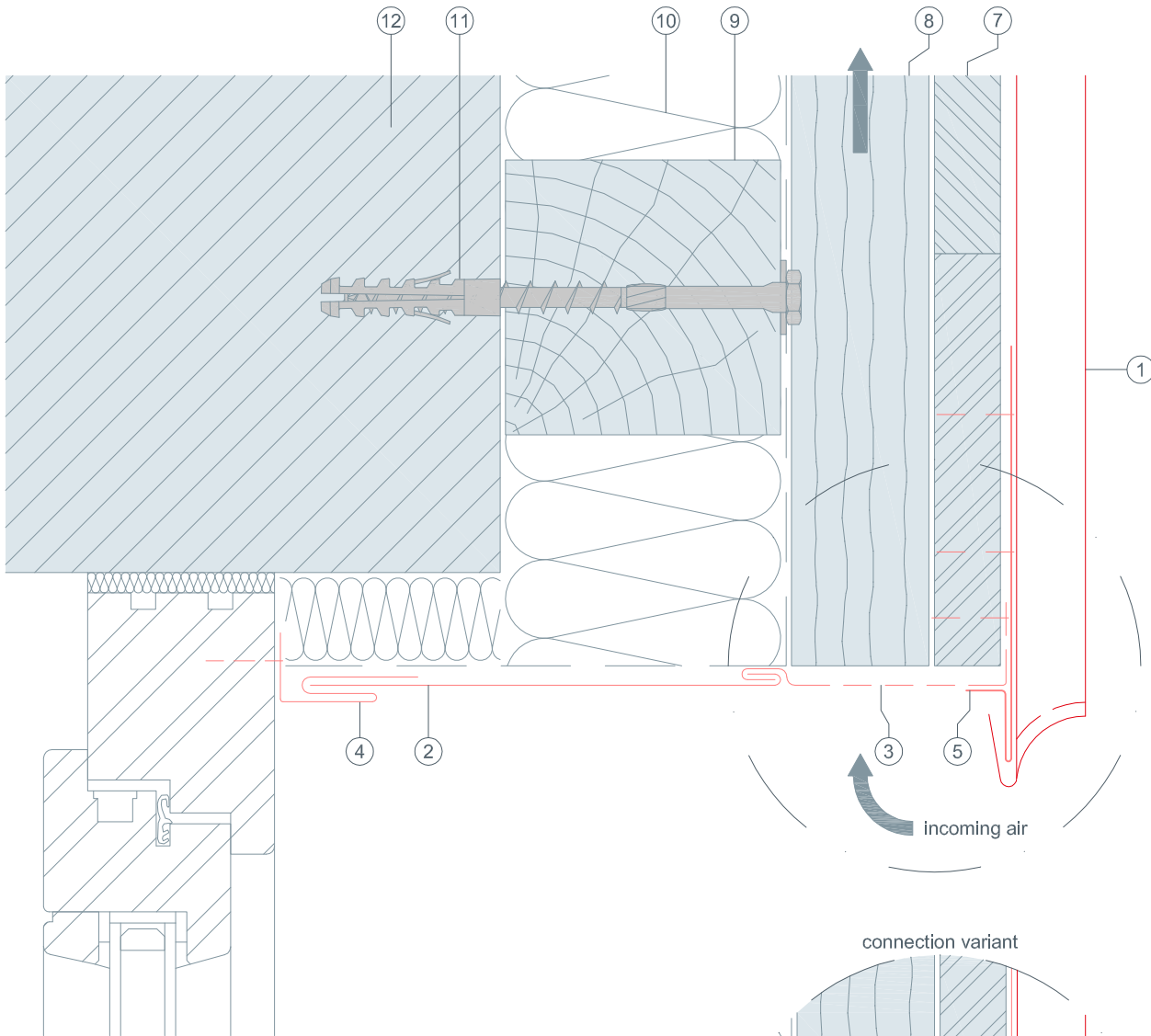
# window reveals horizontal cross-section PREFALZ FAÇADE (vertical) CAD DETAILS



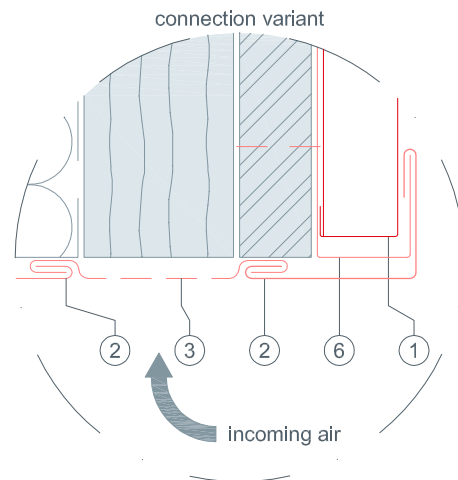


STARK WIE EIN STIER

# window lintel vertical cross-section REFALZ FAÇADE (vertical) CAD DETAILS



- ① PREFALZ single-lock standing seam façade (vertical)
- ② cover flashing
- ③ perforated metal plate (canted)
- ④ insertion profile (PREFA)
- ⑤ edge cleat strip
- ⑥ channel profile (canted)
- ⑦ solid sheathing conforming to national guidelines
- ⑧ counter batten - ventilation gap
- ⑨ nogging piece
- ⑩ insulation
- ⑪ fastener driven into the supporting structure
- ⑫ structural substrate

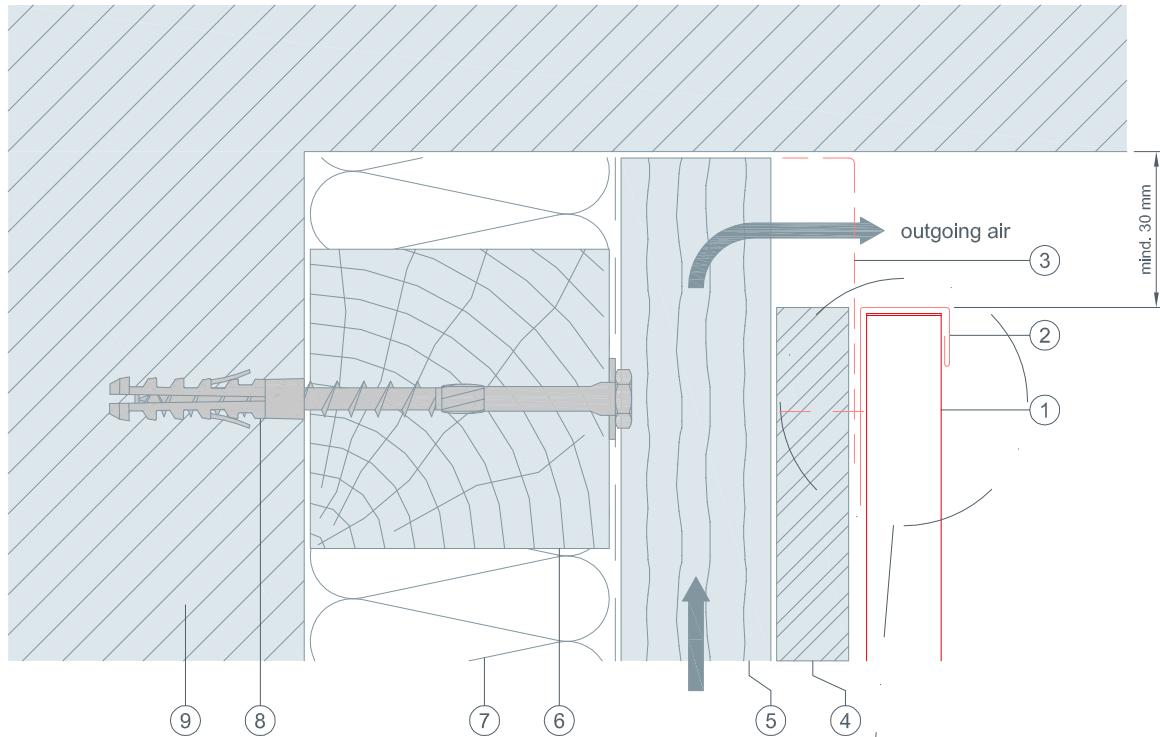




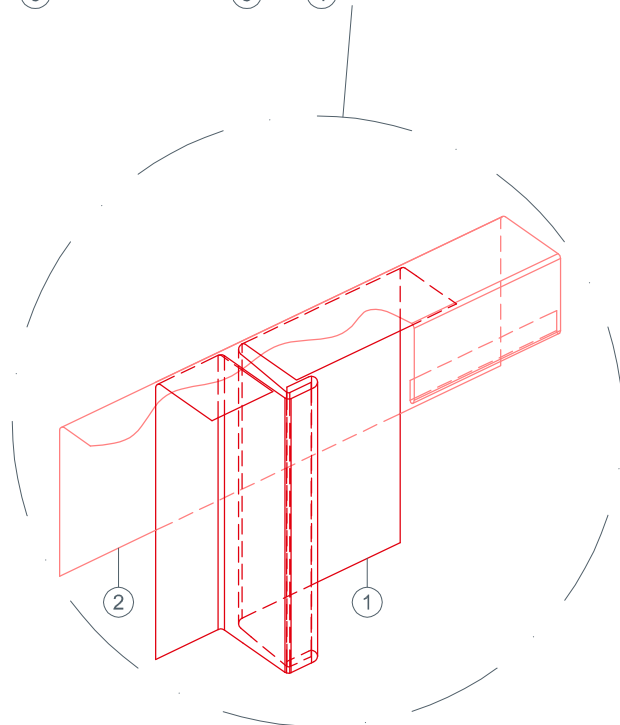


STARK WIE EIN STIER

# top connection vertical cross-section PREFALZ FAÇADE (vertical) CAD DETAILS



- ① PREFALZ single-lock standing seam façade (vertical)
- ② channel profile (canted)
- ③ perforated metal plate (canted)
- ④ solid sheathing conforming to national guidelines
- ⑤ counter batten - ventilation gap
- ⑥ nogging piece
- ⑦ insulation
- ⑧ fastener driven into the supporting structure
- ⑨ structural substrate

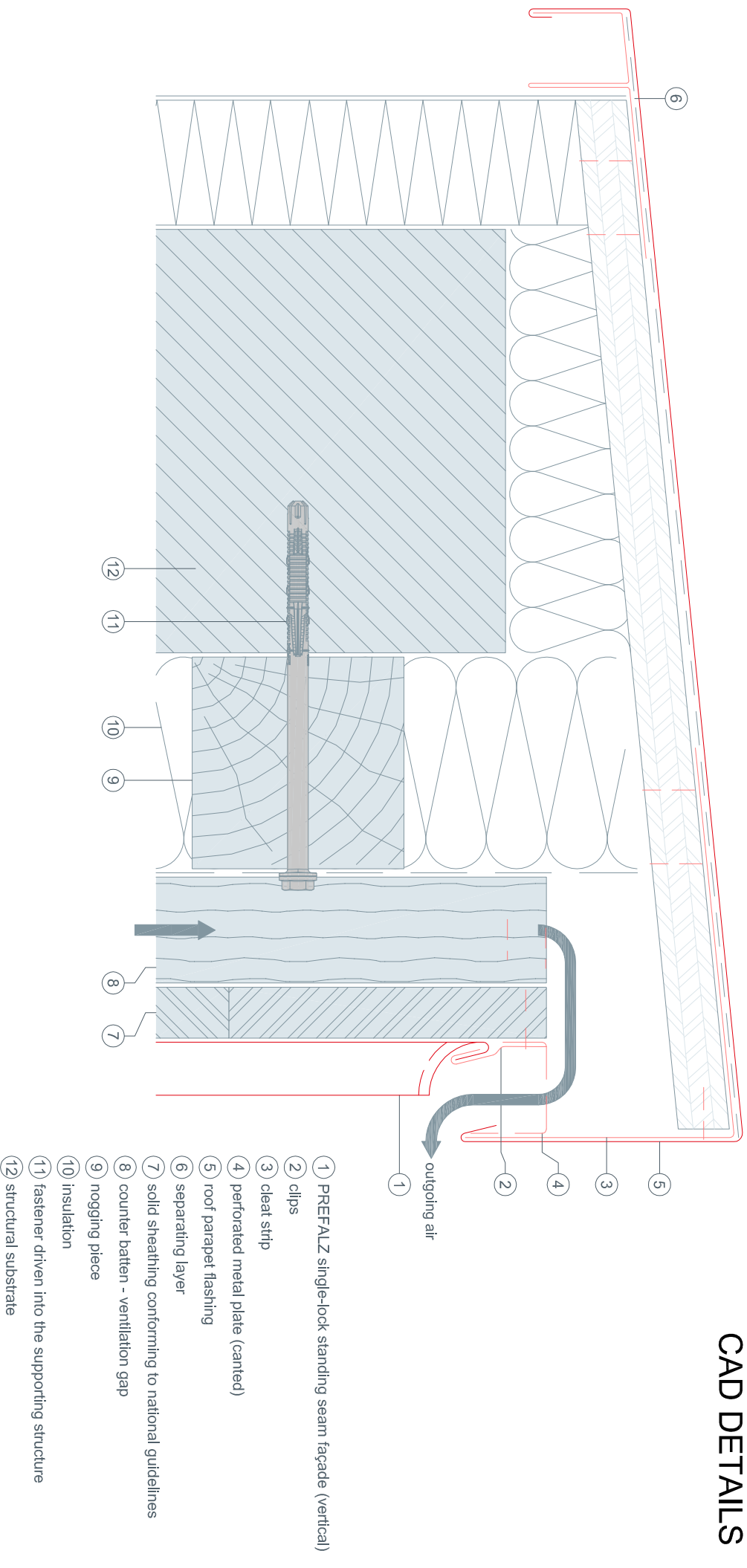




STARK WIE EIN STIER

# roof parapet vertical cross-section PREFALZ FAÇADE (vertical)

## CAD DETAILS



- ① PREFALZ single-lock standing seam façade (vertical)
- ② clips
- ③ cleat strip
- ④ perforated metal plate (canted)
- ⑤ roof parapet flashing
- ⑥ separating layer
- ⑦ solid sheathing conforming to national guidelines
- ⑧ counter batten - ventilation gap
- ⑨ noggling piece
- ⑩ insulation
- ⑪ fastener driven into the supporting structure
- ⑫ structural substrate



**STARK WIE EIN STIER**

# PREFALZ FAÇADE (vertical)

## CAD DETAILS

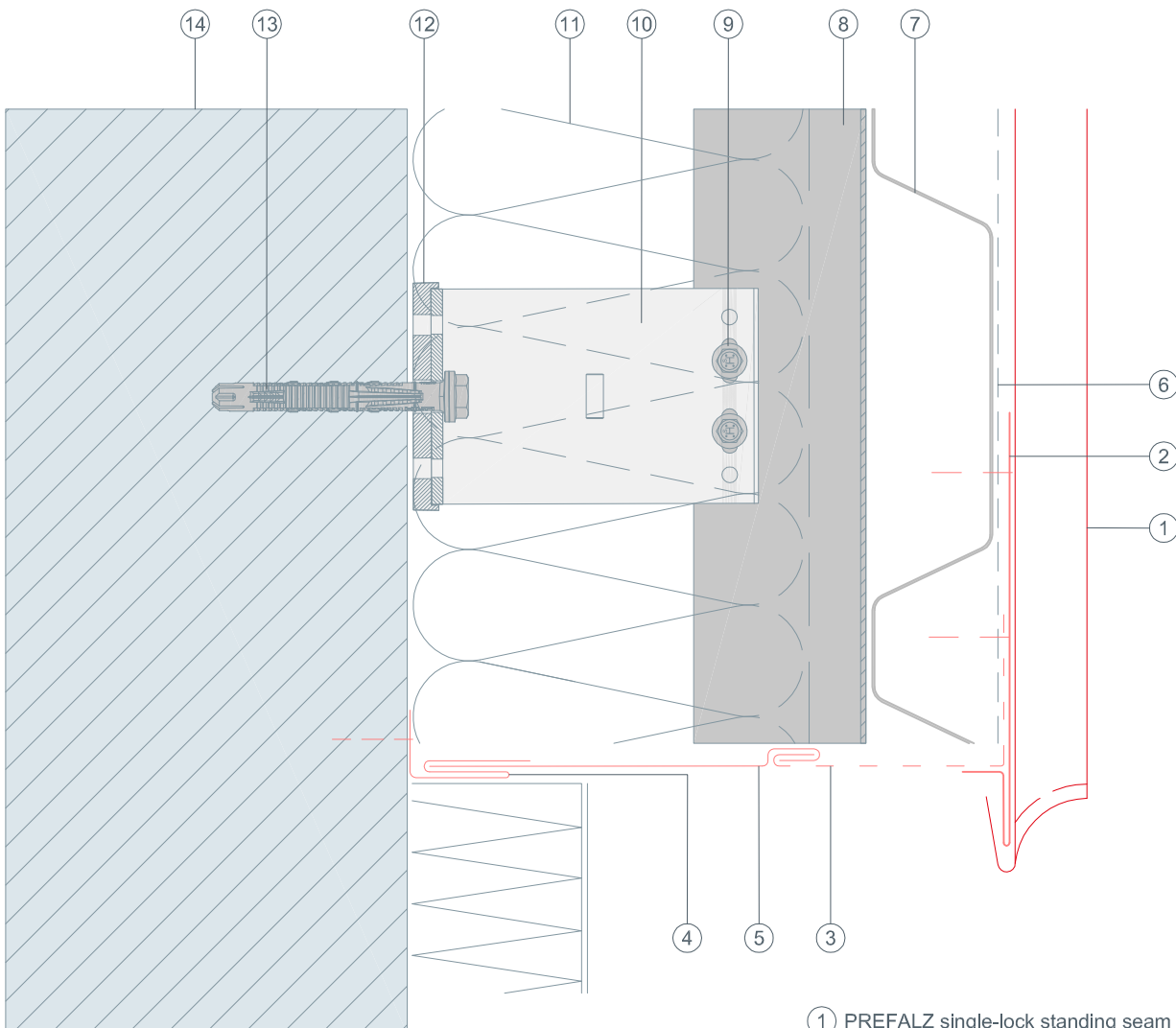
### CONTENTS:

- 2 vertical cross-section – bottom connection
- 3 horizontal cross-section – wall connection
- 4 horizontal cross-section – external corner
- 5 horizontal cross-section – internal corner
- 6 vertical cross-section – window ledge
- 7 horizontal cross-section – window reveals
- 8 vertical cross-section – window lintel
- 9 vertical cross-section – top connection
- 10 vertical cross-section – roof parapet



STARK WIE EIN STIER

# bottom connection vertical cross-section REFALZ FAÇADE (vertical) CAD DETAILS

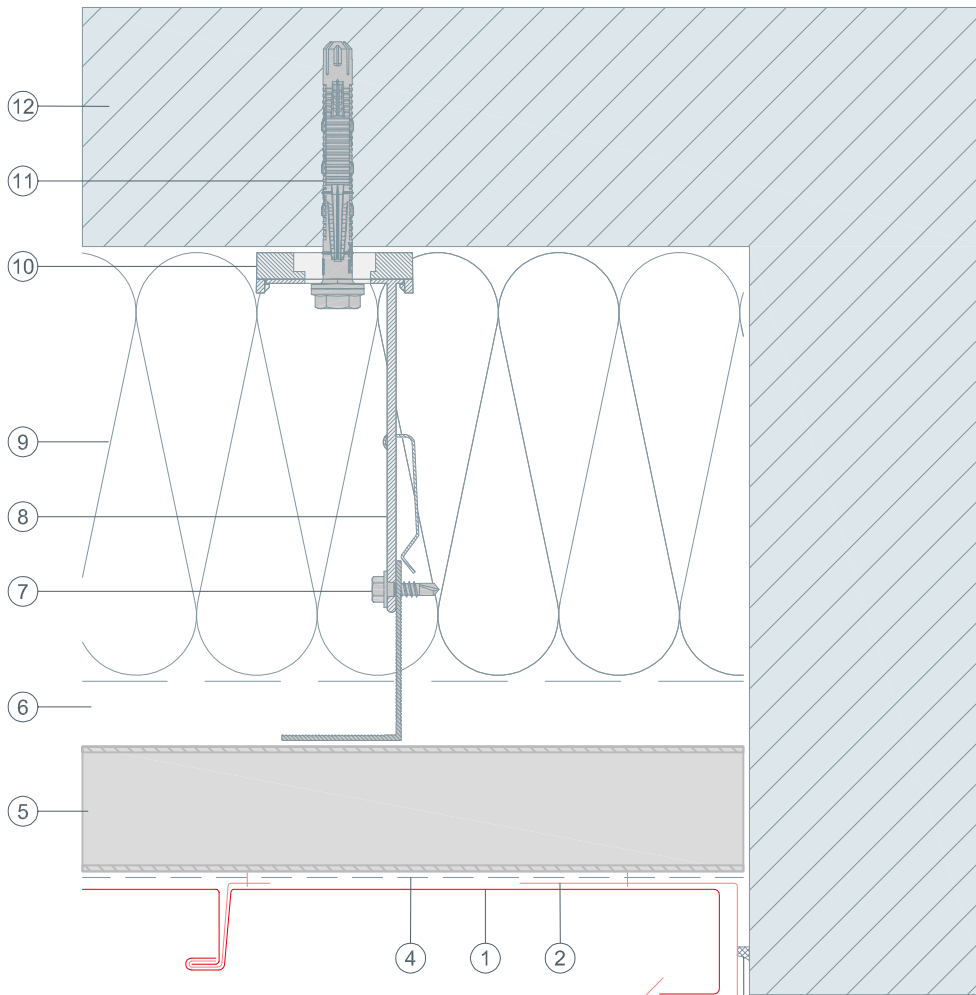


- ① PREFALZ single-lock standing seam façade (vertical)
- ② edge cleat strip
- ③ perforated metal plate (canted)
- ④ insertion profile (PREFA)
- ⑤ cover flashing
- ⑥ separating layer
- ⑦ trapezoidal sheet
- ⑧ ventilation gap
- ⑨ connection screw
- ⑩ spacer bracket
- ⑪ insulation
- ⑫ thermal break
- ⑬ fastener driven into the supporting structure
- ⑭ structure substrate



STARK WIE EIN STIER

# wall connection horizontal cross-section PREFALZ FAÇADE (vertical) CAD DETAILS

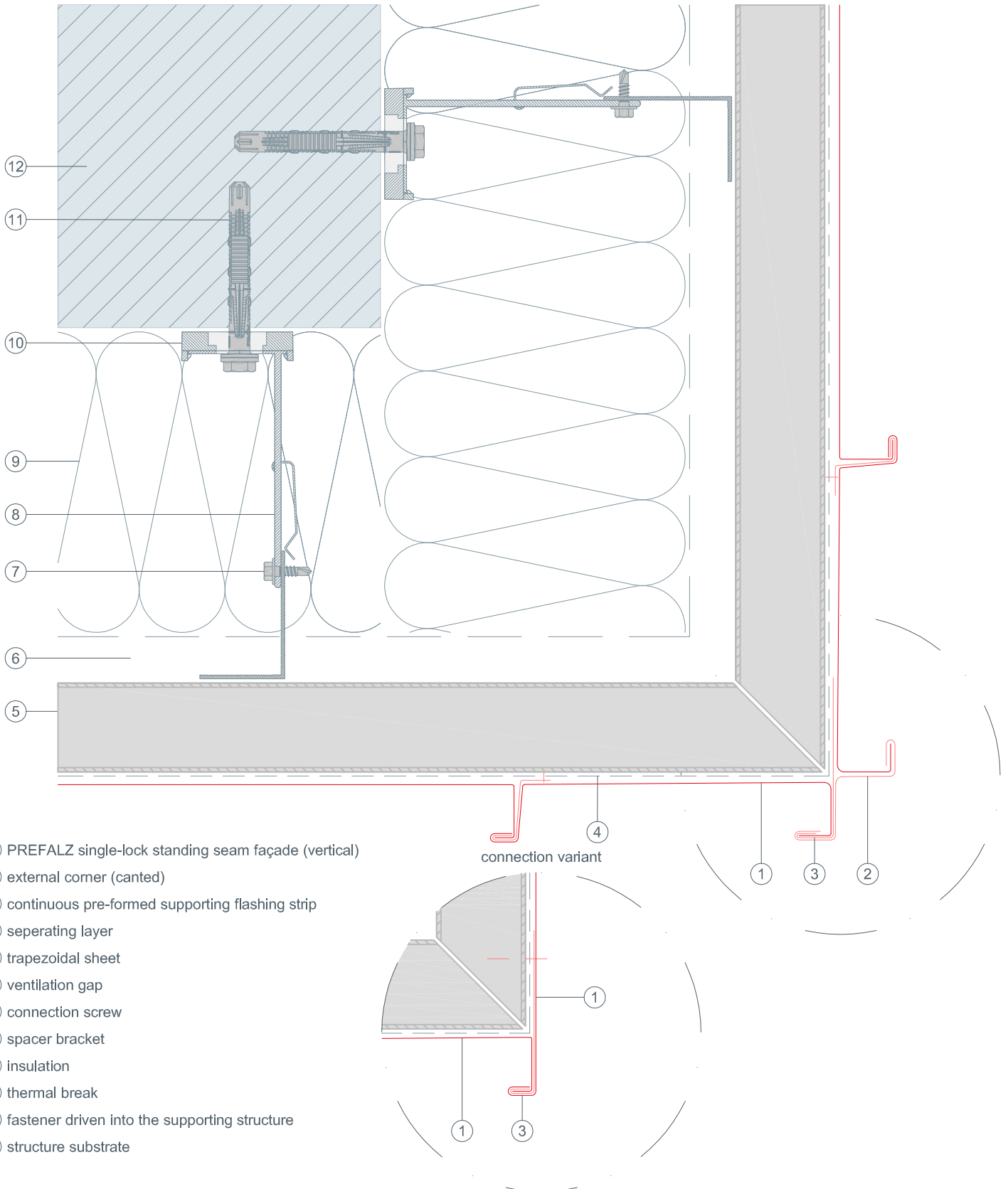


- ① PREFALZ single-lock standing seam façade (vertical)
- ② channel profile (canted)
- ③ sealing tape
- ④ separating layer
- ⑤ trapezoidal sheet
- ⑥ ventilation gap
- ⑦ connection screw
- ⑧ spacer bracket
- ⑨ insulation
- ⑩ thermal break
- ⑪ fastener driven into the supporting structure
- ⑫ structure substrate



STARK WIE EIN STIER

# external corner horizontal cross-section REFALZ FAÇADE (vertical) CAD DETAILS

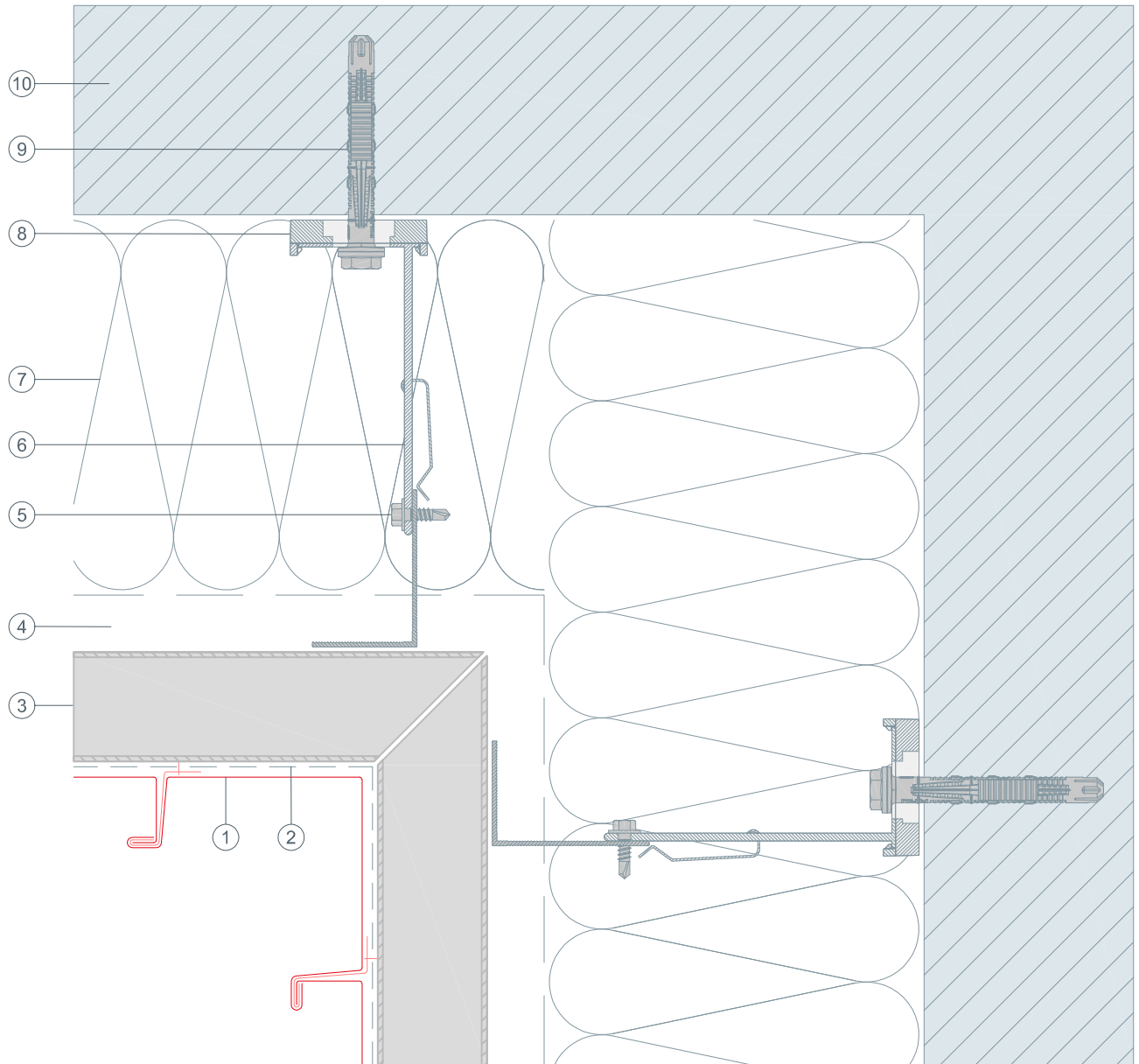


- ① REFALZ single-lock standing seam façade (vertical)
- ② external corner (canted)
- ③ continuous pre-formed supporting flashing strip
- ④ separating layer
- ⑤ trapezoidal sheet
- ⑥ ventilation gap
- ⑦ connection screw
- ⑧ spacer bracket
- ⑨ insulation
- ⑩ thermal break
- ⑪ fastener driven into the supporting structure
- ⑫ structure substrate



STARK WIE EIN STIER

# internal corner horizontal cross-section REFALZ FAÇADE (vertical) CAD DETAILS



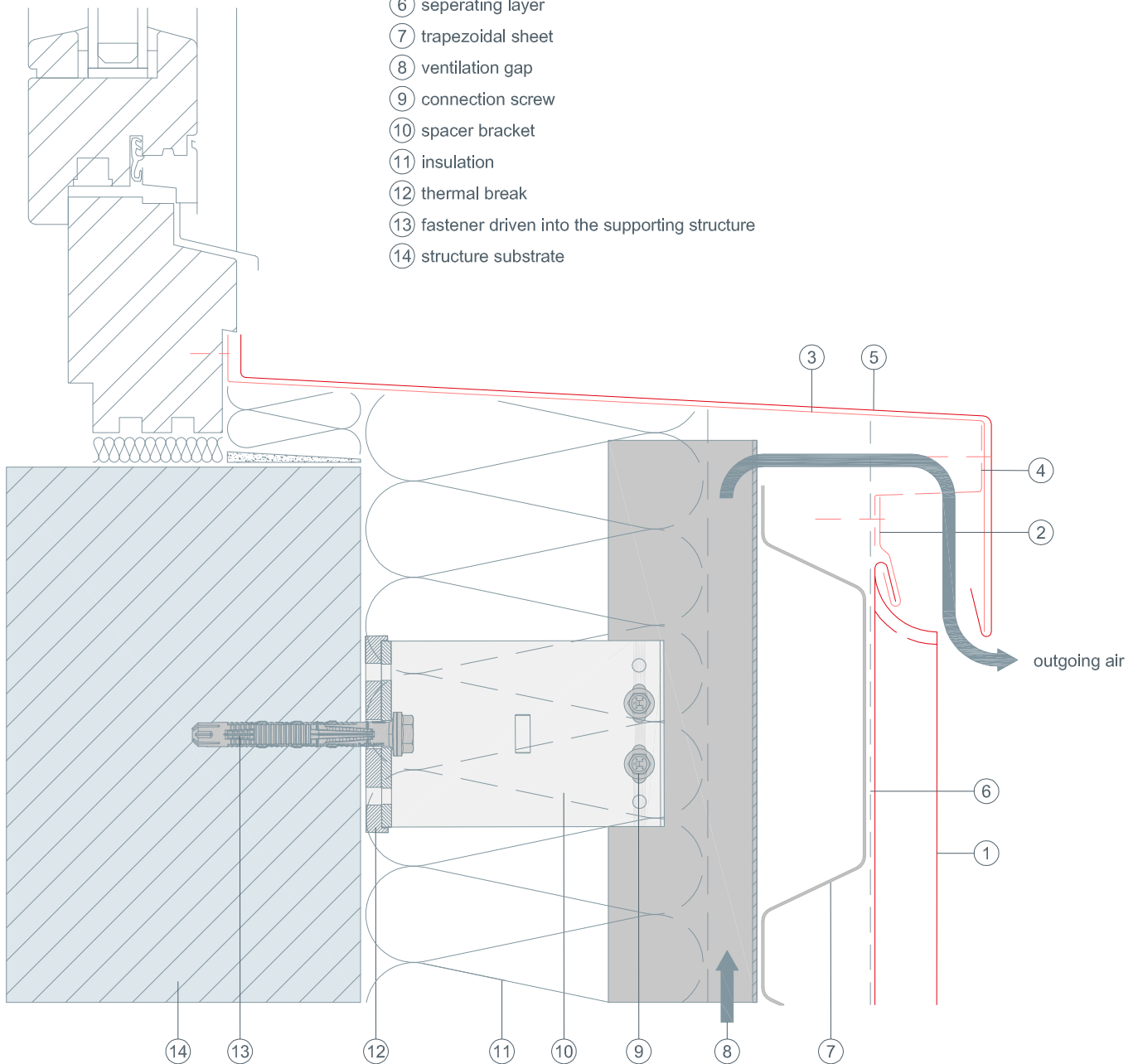
- ① PREFALZ single-lock standing seam façade (vertical)
- ② separating layer
- ③ trapezoidal sheet
- ④ ventilation gap
- ⑤ connection screw
- ⑥ spacer bracket
- ⑦ insulation
- ⑧ thermal break
- ⑨ fastener driven into the supporting structure
- ⑩ structure substrate



STARK WIE EIN STIER

# window ledge vertical cross-section PREFALZ FAÇADE (vertical) CAD DETAILS

- ① PREFALZ single-lock standing seam façade (vertical)
- ② clip
- ③ window ledge flashing strip
- ④ perforated metal plate (canted)
- ⑤ window ledge
- ⑥ separating layer
- ⑦ trapezoidal sheet
- ⑧ ventilation gap
- ⑨ connection screw
- ⑩ spacer bracket
- ⑪ insulation
- ⑫ thermal break
- ⑬ fastener driven into the supporting structure
- ⑭ structure substrate

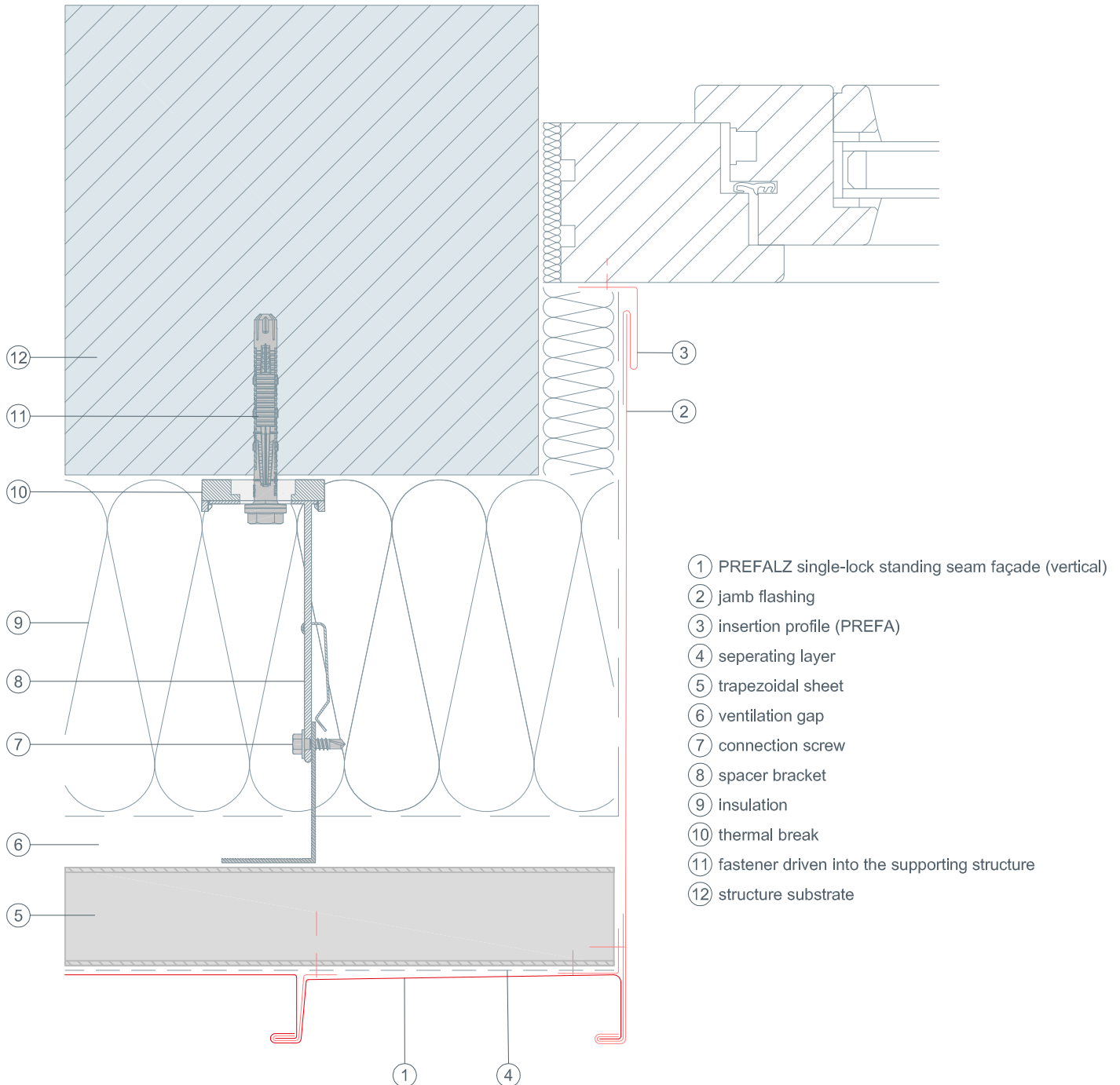






STARK WIE EIN STIER

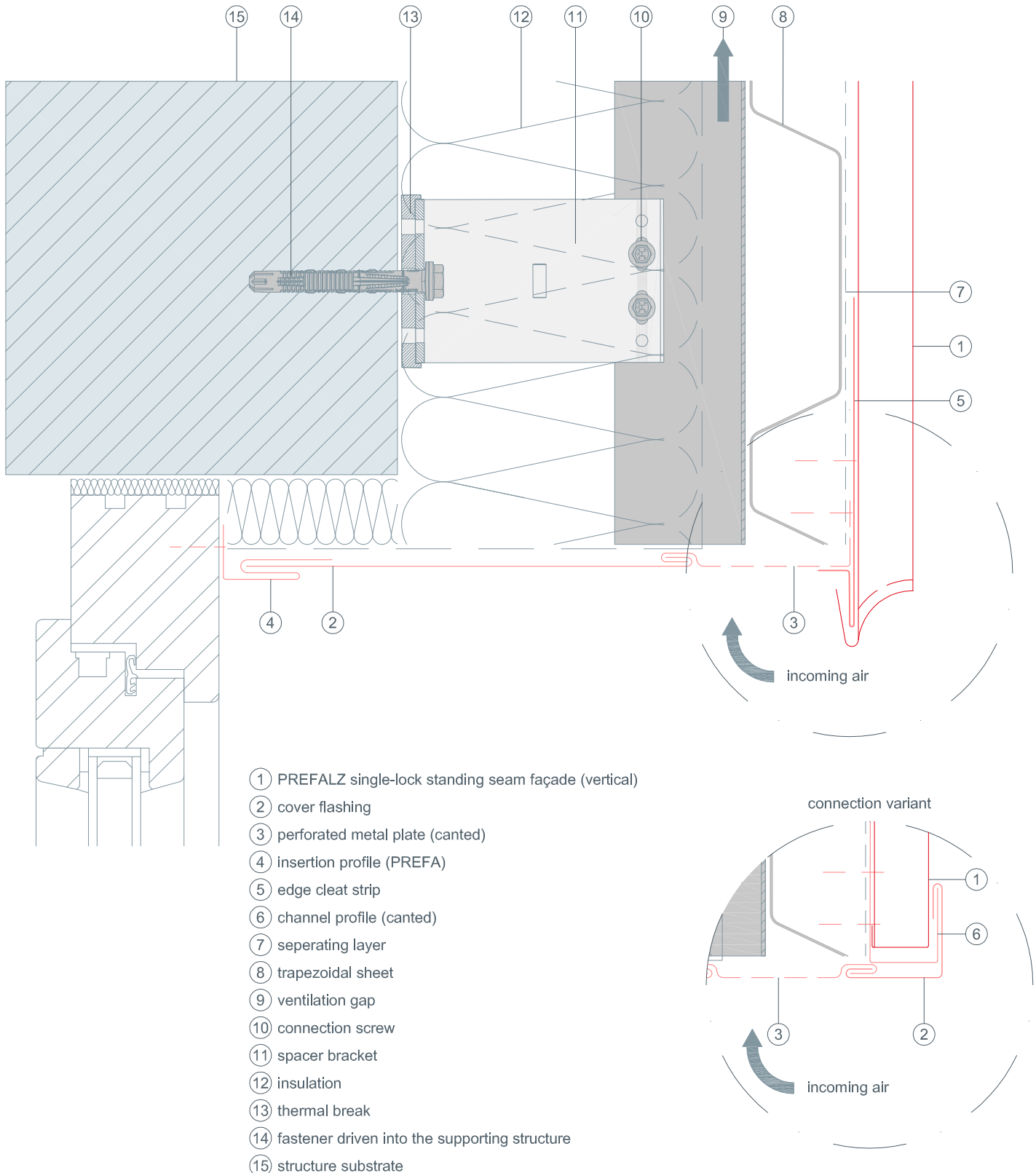
# window reveals horizontal cross-section PREFALZ FAÇADE (vertical) CAD DETAILS





STARK WIE EIN STIER

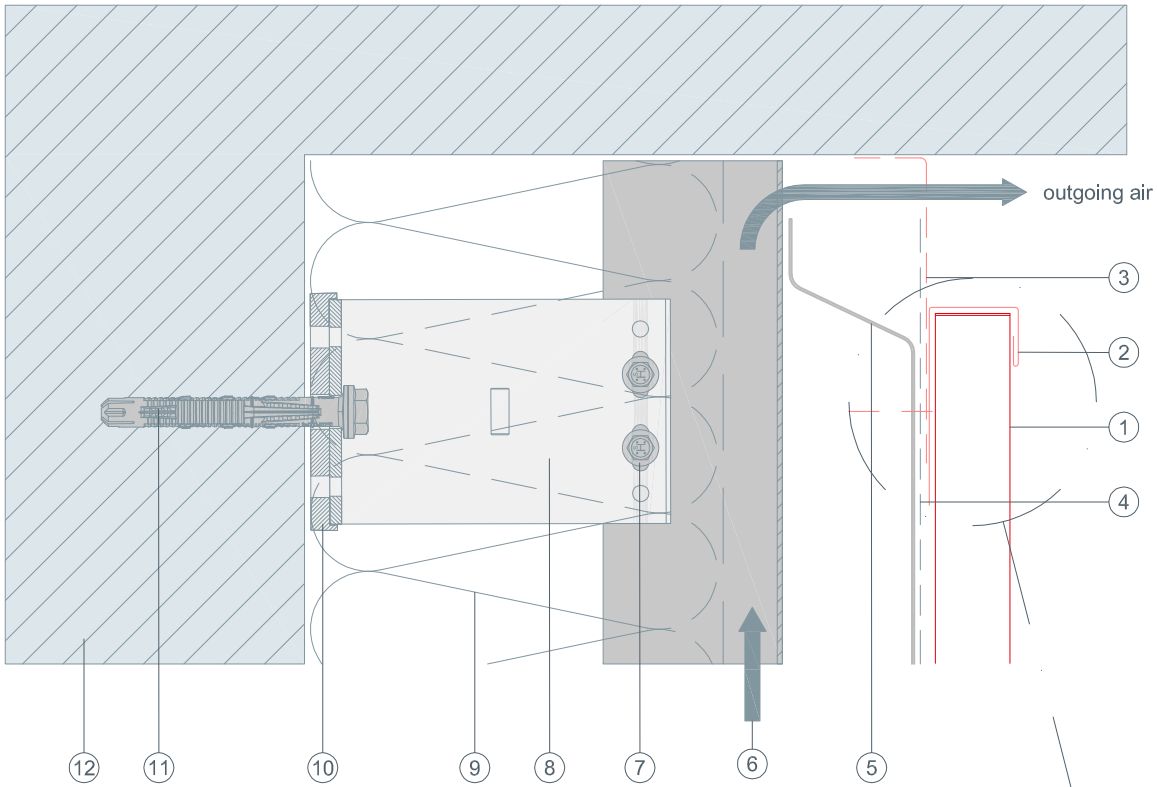
# window lintel vertical cross-section PREFALZ FAÇADE (vertical) CAD DETAILS



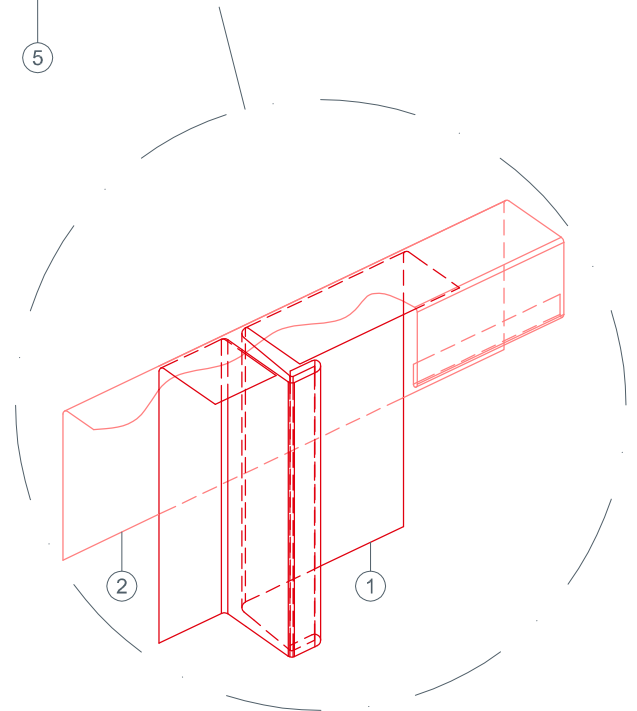


STARK WIE EIN STIER

# top connection vertical cross-section PREFALZ FAÇADE (vertical) CAD DETAILS



- ① PREFALZ single-lock standing seam façade (vertical)
- ② channel profile (canted)
- ③ perforated metal plate (canted)
- ④ separating layer
- ⑤ trapezoidal sheet
- ⑥ ventilation gap
- ⑦ connection screw
- ⑧ spacer bracket
- ⑨ insulation
- ⑩ thermal break
- ⑪ fastener driven into the supporting structure
- ⑫ structure substrate

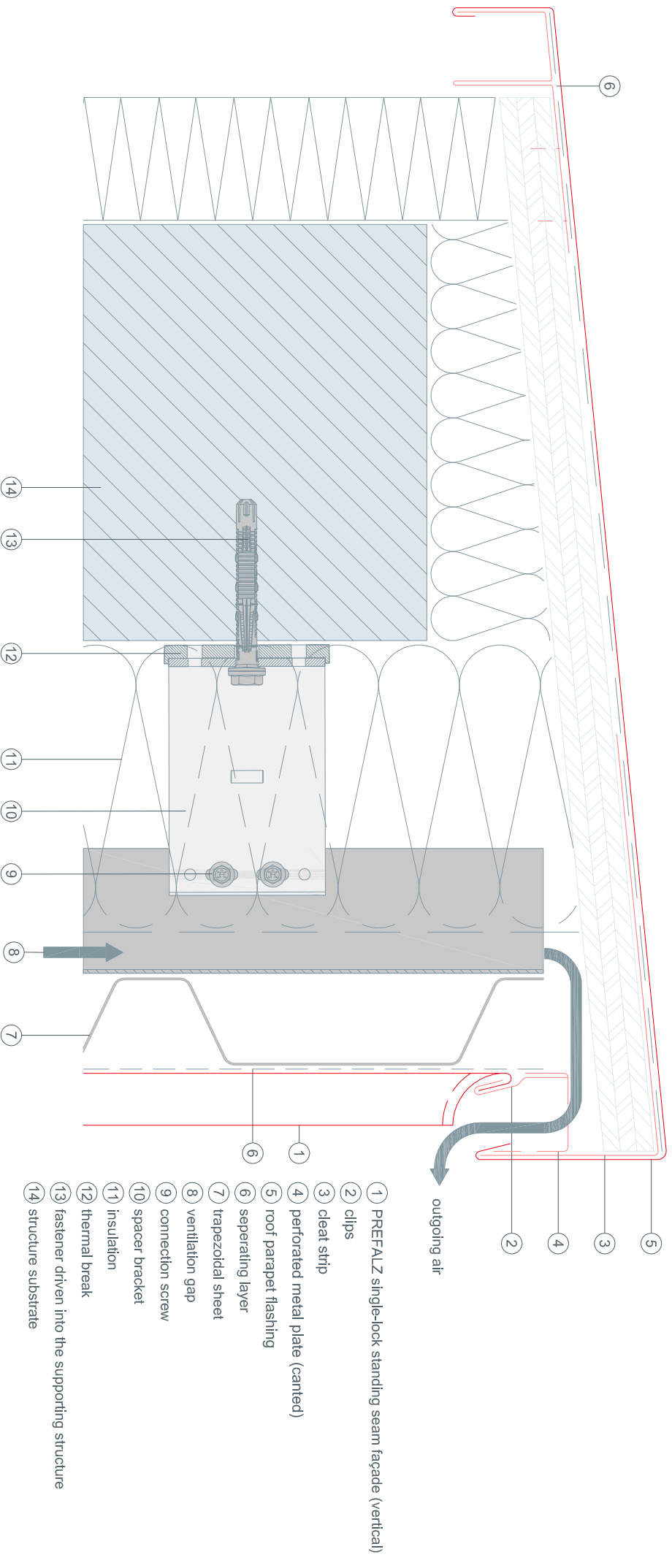




STARK WIE EIN STIER

# roof parapet vertical cross-section PREFALZ FAÇADE (vertical)

## CAD DETAILS



- ① PREFALZ single-lock standing seam façade (vertical)
- ② clips
- ③ cleat strip
- ④ perforated metal plate (canted)
- ⑤ roof parapet flashing
- ⑥ separating layer
- ⑦ trapezoidal sheet
- ⑧ ventilation gap
- ⑨ connection screw
- ⑩ spacer bracket
- ⑪ insulation
- ⑫ thermal break
- ⑬ fastener driven into the supporting structure
- ⑭ structure substrate