



STARK WIE EIN STIER

RIPPLE PROFILE 10/47/2,0 (vertical) ON ALUMINIUM SUPPORTING SUBSTRATES

CAD DETAILS

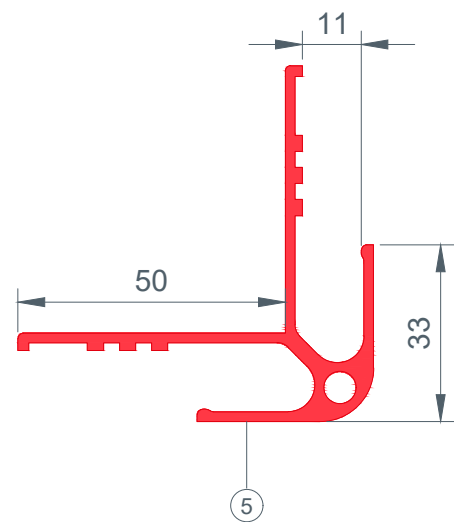
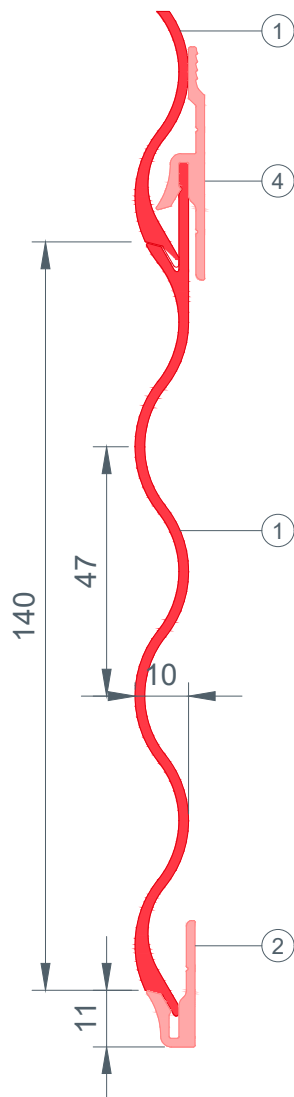
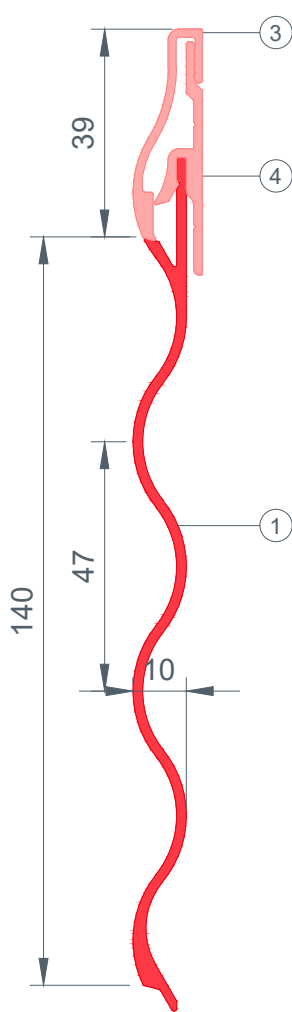
CONTENTS:

- 2 vertical cross-section – product overview
- 3 vertical cross-section – wall bracket
- 4 vertical cross-section – bottom connection
- 5 horizontal cross-section – wall connection
- 6 horizontal cross-section – external corner
- 7 horizontal cross-section – internal corner
- 8 vertical cross-section – window ledge
- 9 horizontal cross-section – window reveals
- 10 vertical cross-section – window lintel
- 11 vertical cross-section – window lintel with blinds
- 12 horizontal cross-section – joint connection
- 13 vertical cross-section – top connection
- 14 vertical cross-section – roof parapet

product overview

RIPPLE PROFILE 10/47/2,0 (vertical)

CAD DETAILS

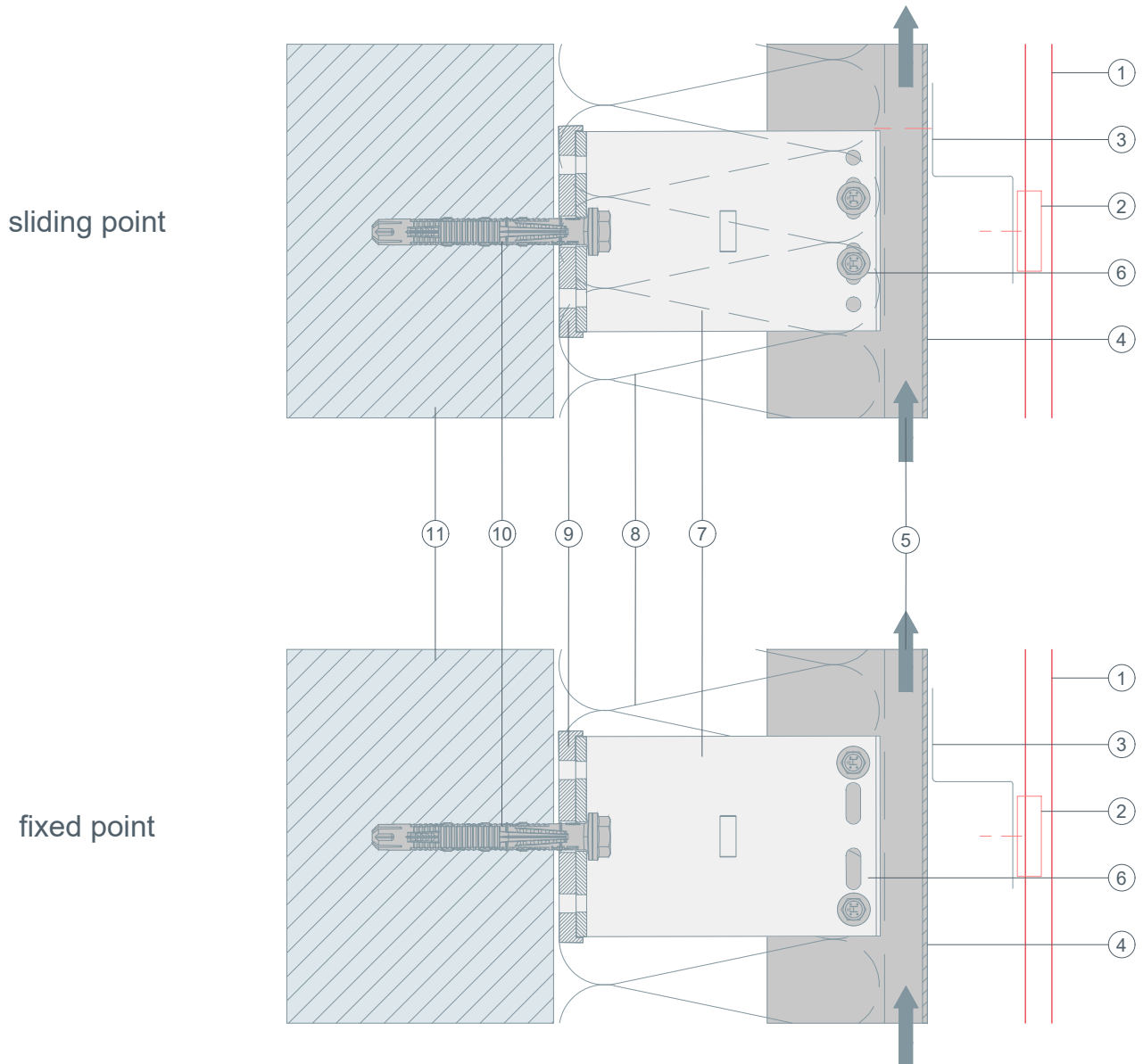


- ① RIPPLE PROFILE 10/47/2,0 (vertical)
- ② starter profile for ripple profile (PREFA)
- ③ closing profile for ripple profile (PREFA)
- ④ sliding clip for ripple profile (PREFA)
- ⑤ external corner for ripple profile



STARK WIE EIN STIER

wall bracket vertical cross-section RIPPLE PROFILE 10/47/2,0 (vertical) CAD DETAILS



sliding point

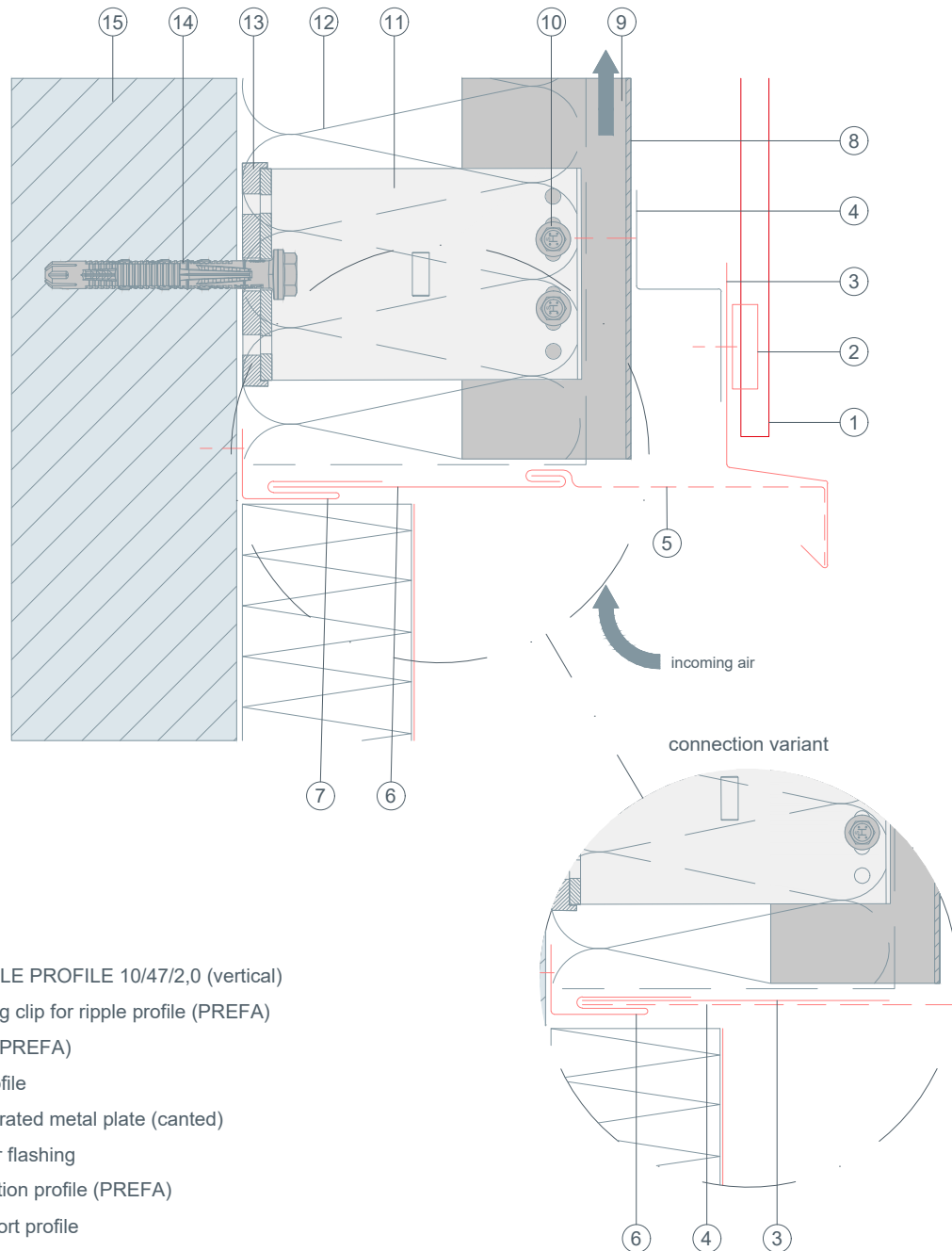
fixed point

- ① RIPPLE PROFILE 10/47/2,0 (vertical)
- ② sliding clip for ripple profile (PREFA)
- ③ Z-profile
- ④ support profile
- ⑤ ventilation gap
- ⑥ connection screw
- ⑦ spacer bracket
- ⑧ insulation
- ⑨ thermal break
- ⑩ fastener driven into the supporting structure
- ⑪ structural substrate



STARK WIE EIN STIER

bottom connection vertical cross-section RIPPLE PROFILE 10/47/2,0 (vertical) CAD DETAILS

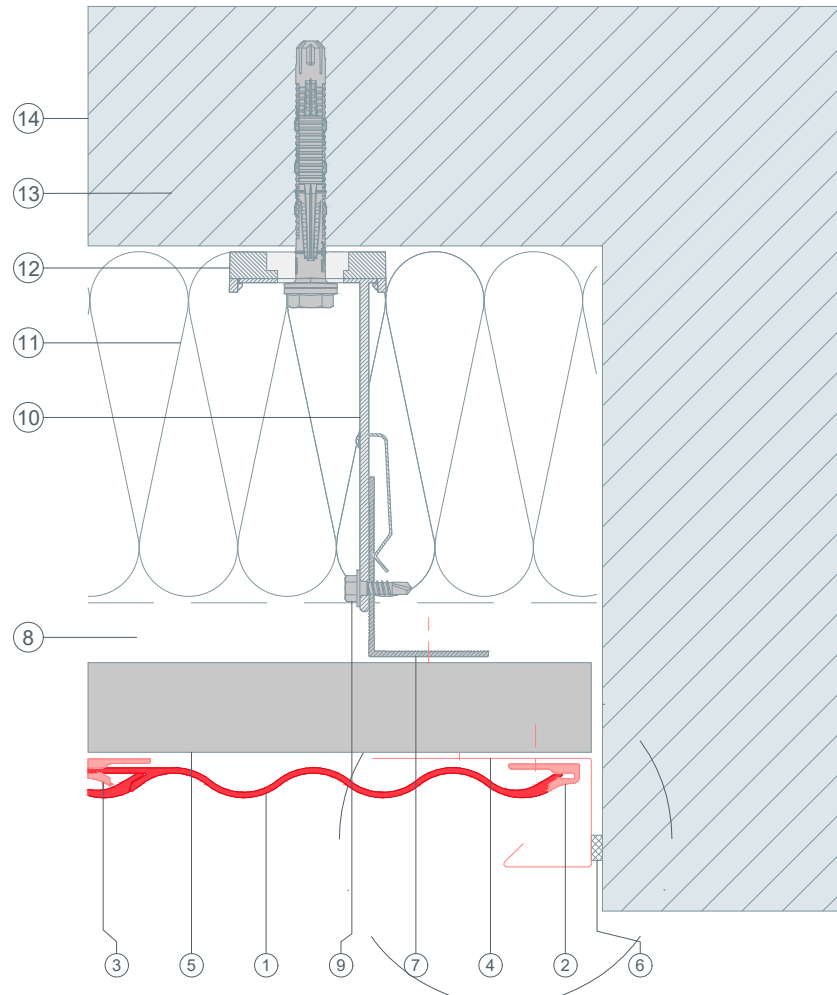


- ① RIPPLE PROFILE 10/47/2,0 (vertical)
- ② sliding clip for ripple profile (PREFA)
- ③ drip (PREFA)
- ④ Z-profile
- ⑤ perforated metal plate (canted)
- ⑥ cover flashing
- ⑦ insertion profile (PREFA)
- ⑧ support profile
- ⑨ ventilation gap
- ⑩ connection screw
- ⑪ spacer bracket
- ⑫ insulation
- ⑬ thermal break
- ⑭ fastener driven into the supporting structure
- ⑮ structural substrate



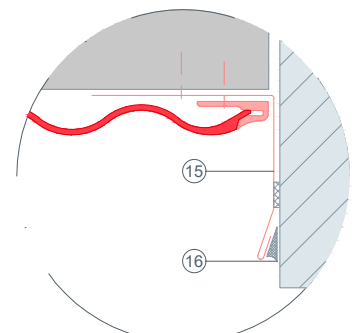
STARK WIE EIN STIER

wall connection horizontal cross-section RIPPLE PROFILE 10/47/2,0 (vertical) CAD DETAILS



- ① RIPPLE PROFILE 10/47/2,0 (vertical)
- ② starter profile for ripple profile (PREFA)
- ③ sliding clip for ripple profile (PREFA)
- ④ channel profile (canted)
- ⑤ Z-profile
- ⑥ sealing tape
- ⑦ support profile
- ⑧ ventilation gap
- ⑨ connection screw
- ⑩ spacer bracket
- ⑪ insulation
- ⑫ thermal break
- ⑬ fastener driven into the supporting structure
- ⑭ structural substrate
- ⑮ wall bracket
- ⑯ permanently elastic sealing joint

connection variant

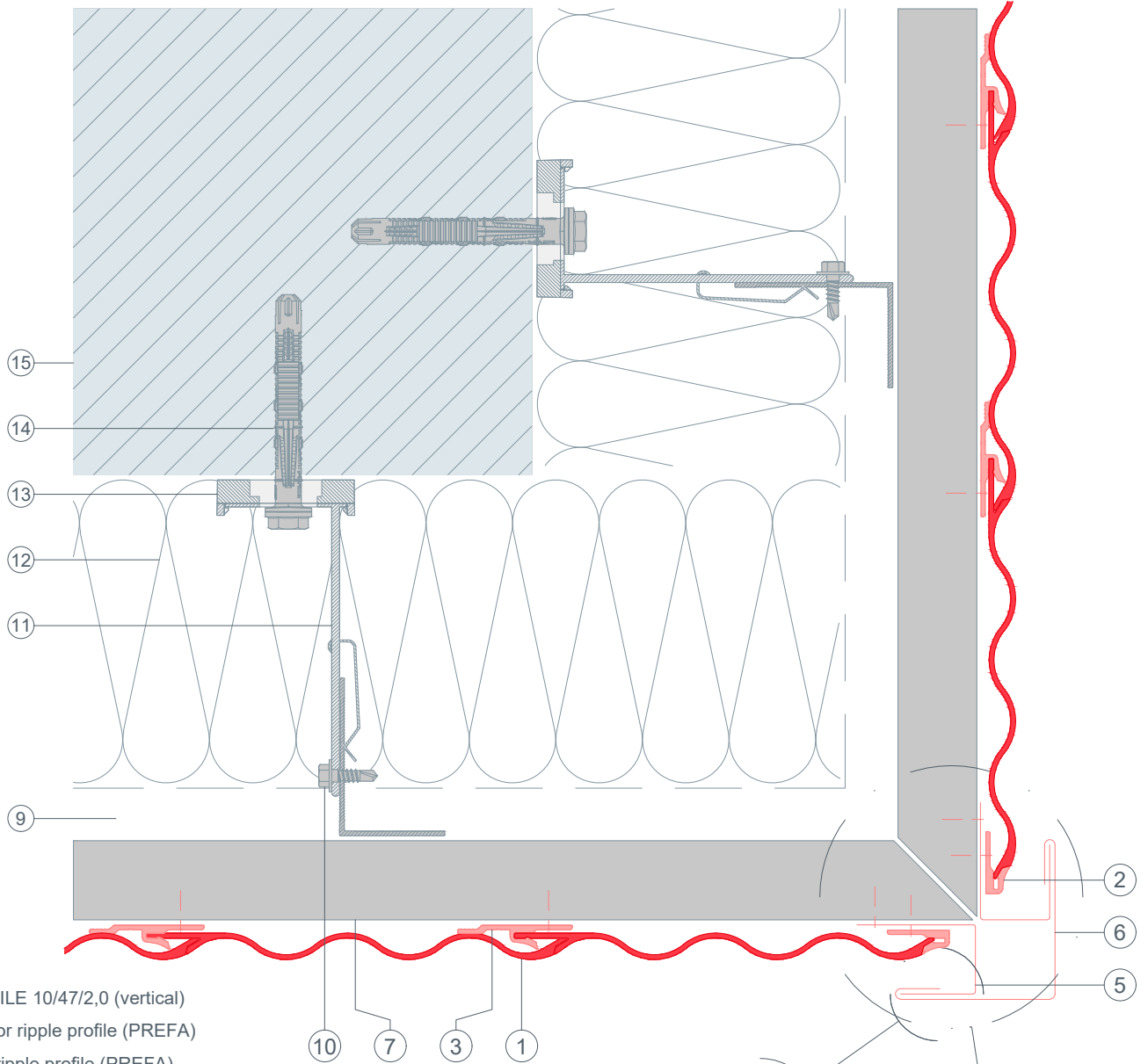




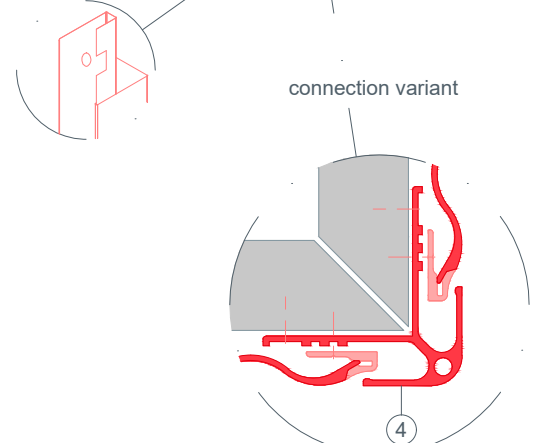
STARK WIE EIN STIER

external corner horizontal cross-section RIPPLE PROFILE 10/47/2,0 (vertical)

CAD DETAILS



- ① RIPPLE PROFILE 10/47/2,0 (vertical)
- ② starter profile for ripple profile (PREFA)
- ③ sliding clip for ripple profile (PREFA)
- ④ external corner for ripple profile
- ⑤ channel profile (canted)
- ⑥ external corner flashing
- ⑦ Z-profile
- ⑧ support profile
- ⑨ ventilation gap
- ⑩ connection screw
- ⑪ spacer bracket
- ⑫ insulation
- ⑬ thermal break
- ⑭ fastener driven into the supporting structure
- ⑮ structural substrate

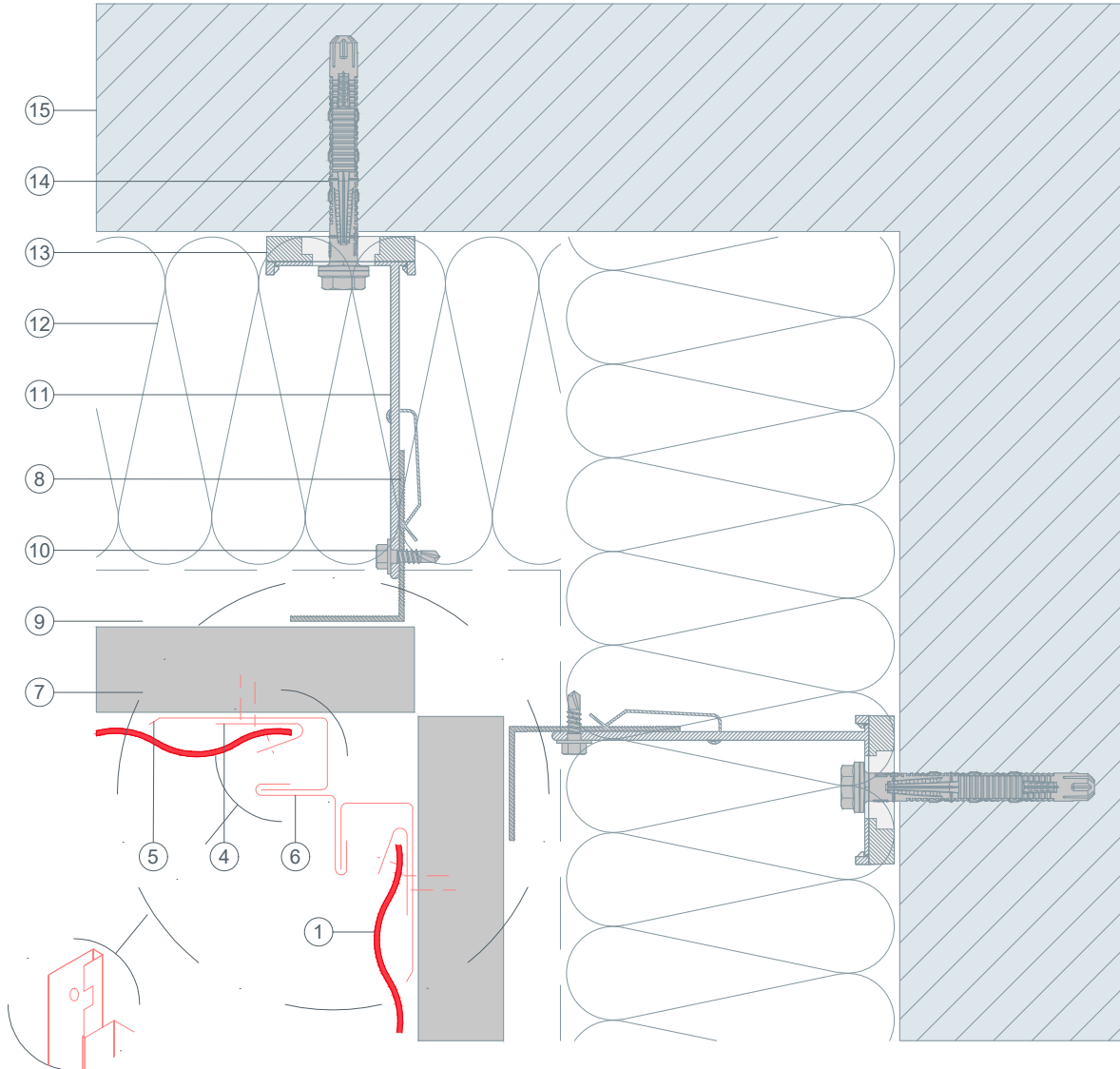




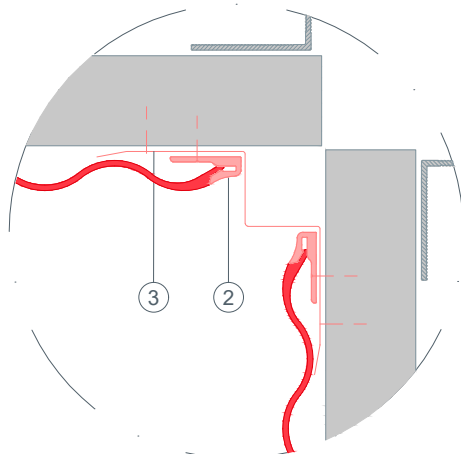
STARK WIE EIN STIER

internal corner horizontal cross-section RIPPLE PROFILE 10/47/2,0 (vertical)

CAD DETAILS



connection variant



- ① RIPPLE PROFILE 10/47/2,0 (vertical)
- ② starter profile for ripple profile (PREFA)
- ③ internal corner
- ④ double-lock clip
- ⑤ channel profile (canted)
- ⑥ internal corner gekantet
- ⑦ Z-profile
- ⑧ support profile
- ⑨ ventilation gap
- ⑩ connection screw
- ⑪ spacer bracket
- ⑫ insulation
- ⑬ thermal break
- ⑭ fastener driven into the supporting structure
- ⑮ structural substrate

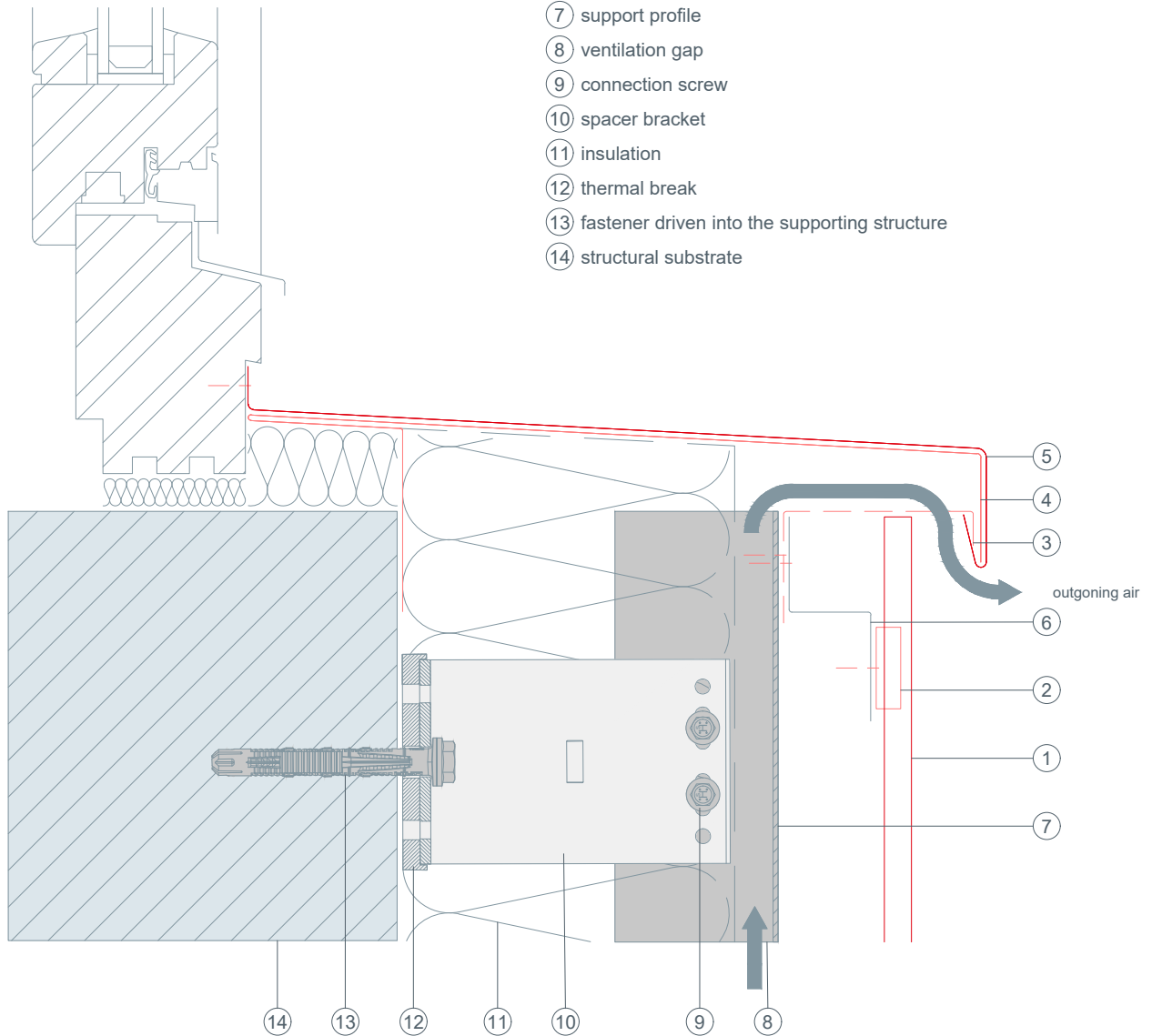


STARK WIE EIN STIER

window ledge vertical cross-section RIPPLE PROFILE 10/47/2,0 (vertical)

CAD DETAILS

- ① RIPPLE PROFILE 10/47/2,0 (vertical)
- ② sliding clip for ripple profile (PREFA)
- ③ perforated metal plate (canted)
- ④ window ledge flashing strip
- ⑤ window ledge
- ⑥ Z-profile
- ⑦ support profile
- ⑧ ventilation gap
- ⑨ connection screw
- ⑩ spacer bracket
- ⑪ insulation
- ⑫ thermal break
- ⑬ fastener driven into the supporting structure
- ⑭ structural substrate

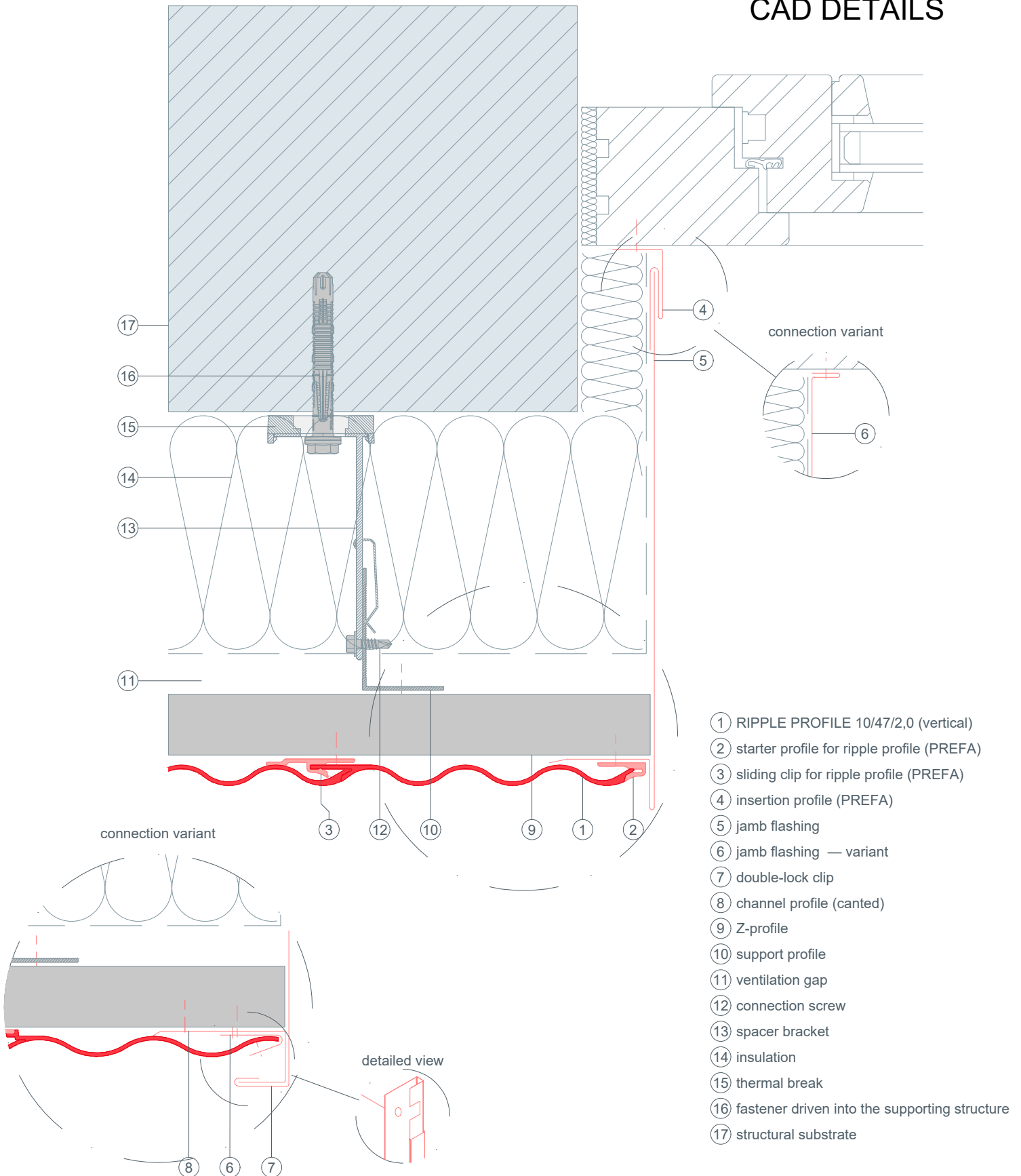




STARK WIE EIN STIER

window reveals horizontal cross-section RIPPLE PROFILE 10/47/2,0 (vertical)

CAD DETAILS

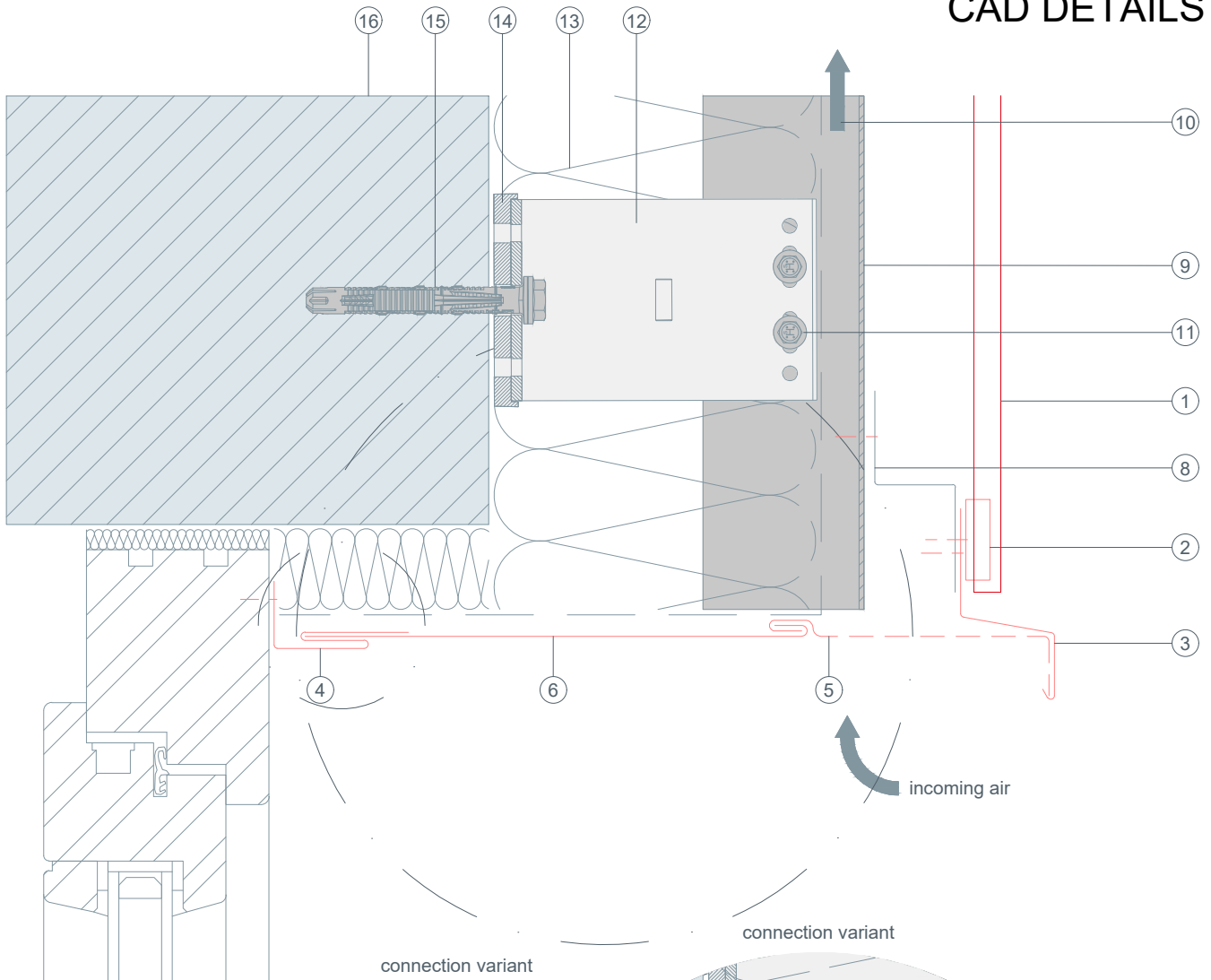




STARK WIE EIN STIER

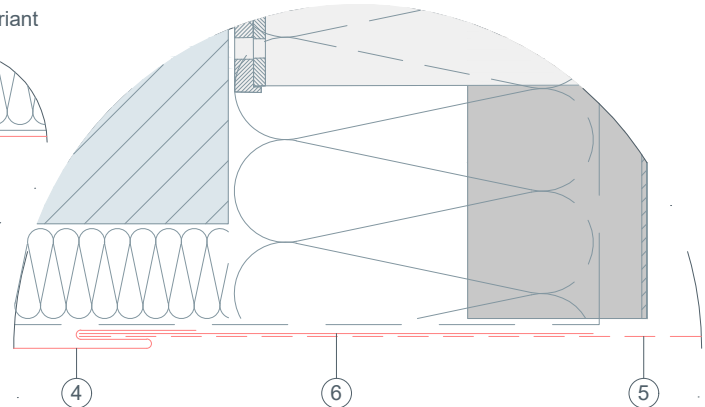
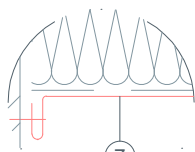
window lintel vertical cross-section RIPPLE PROFILE 10/47/2,0 (vertical)

CAD DETAILS



connection variant

connection variant



- ① RIPPLE PROFILE 10/47/2,0 (vertical)
- ② sliding clip for ripple profile (PREFA)
- ③ drip (PREFA)
- ④ insertion profile (PREFA)
- ⑤ perforated metal plate (canted)
- ⑥ cover flashing
- ⑦ connection variant
- ⑧ Z-profile
- ⑨ support profile
- ⑩ ventilation gap
- ⑪ connection screw
- ⑫ spacer bracket
- ⑬ insulation
- ⑭ thermal break
- ⑮ fastener driven into the supporting structure
- ⑯ structural substrate

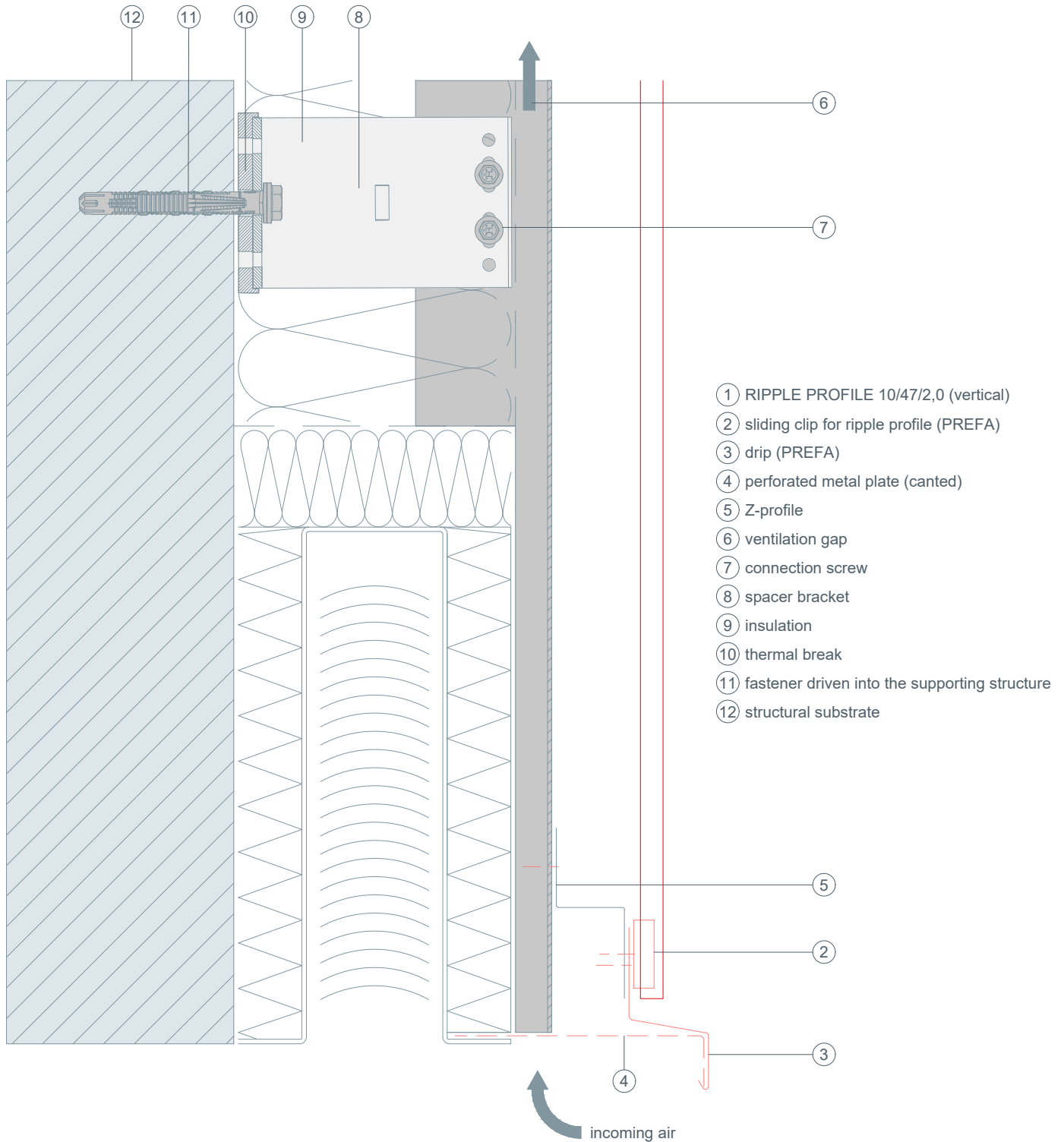




STARK WIE EIN STIER

window lintel with blinds vertical cross-section RIPPLE PROFILE 10/47/2,0 (vertical)

CAD DETAILS

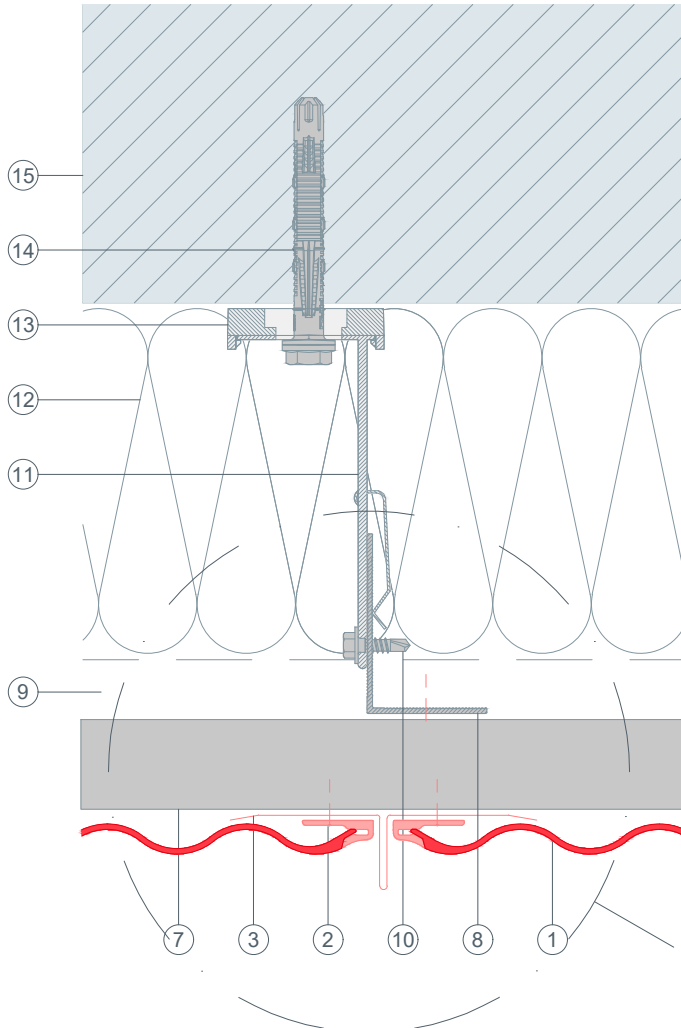




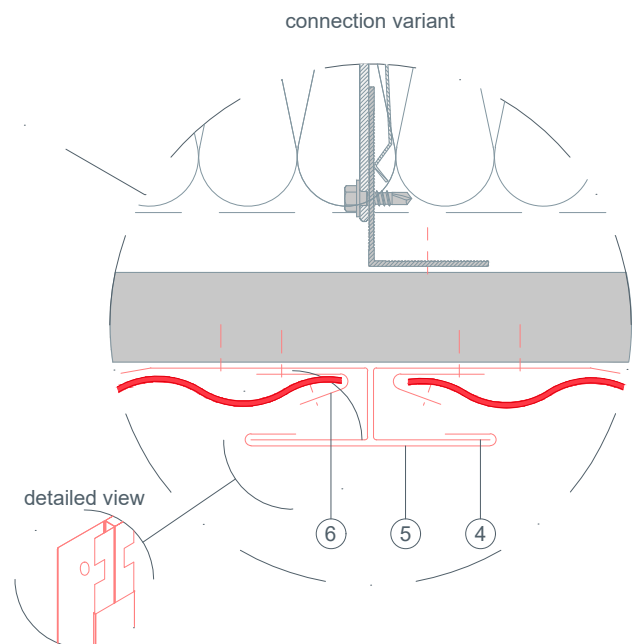
STARK WIE EIN STIER

joint connection horizontal cross-section RIPPLE PROFILE 10/47/2,0 (vertical)

CAD DETAILS



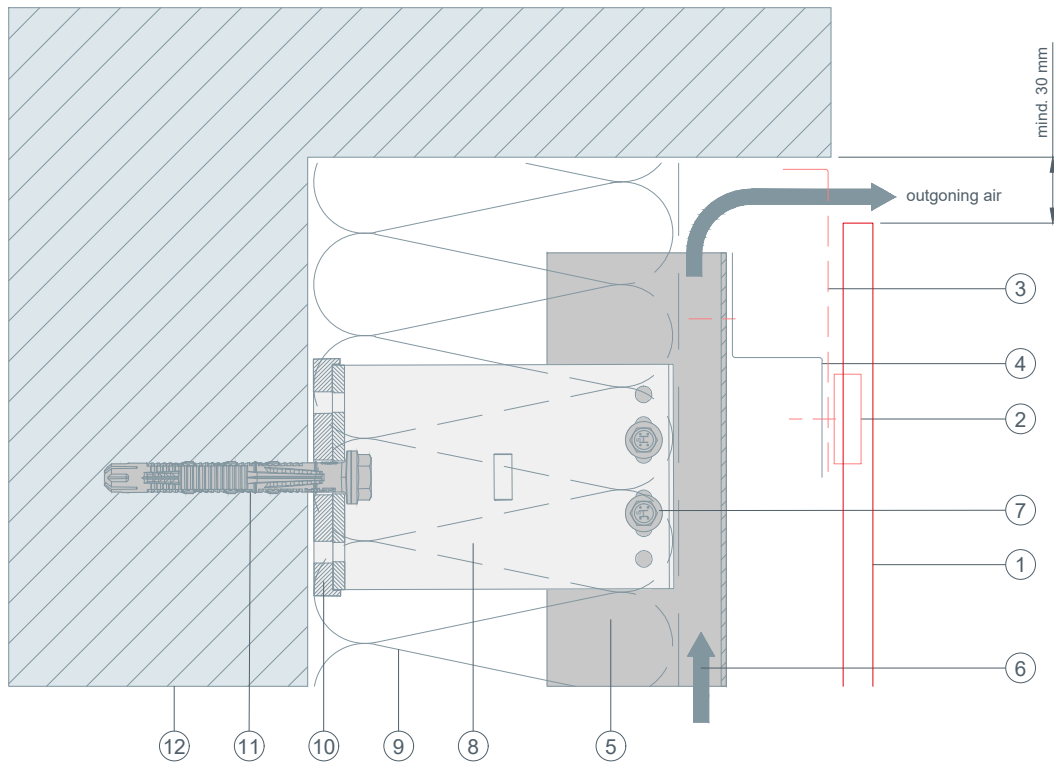
- ① RIPPLE PROFILE 10/47/2,0 (vertical)
- ② starter profile for ripple profile (PREFA)
- ③ joint connection (PREFA)
- ④ channel profile (canted)
- ⑤ cover for joint connection
- ⑥ double-lock clip
- ⑦ Z-profile
- ⑧ support profile
- ⑨ ventilation gap
- ⑩ connection screw
- ⑪ spacer bracket
- ⑫ insulation
- ⑬ thermal break
- ⑭ fastener driven into the supporting structure
- ⑮ structural substrate





STARK WIE EIN STIER

top connection vertical cross-section RIPPLE PROFILE 10/47/2,0 (vertical) CAD DETAILS



- ① RIPPLE PROFILE 10/47/2,0 (vertical)
- ② sliding clip for ripple profile (PREFA)
- ③ perforated metal plate (canted)
- ④ Z-profile
- ⑤ support profile
- ⑥ ventilation gap
- ⑦ connection screw
- ⑧ spacer bracket
- ⑨ insulation
- ⑩ thermal break
- ⑪ fastener driven into the supporting structure
- ⑫ structural substrate



STARK WIE EIN STIER

roof parapet vertical cross-section RIPPLE PROFILE 10/47/2,0 (vertical) CAD DETAILS

